

# alca

Plumbing SYSTEMS

8 July 2024

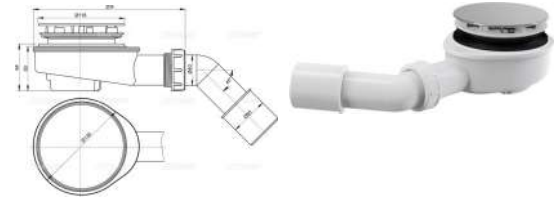


## A491CR

8595580523749

### Shower waste set chrome 90mm stainless steel grid Flow rate 37,2L 1/min. Ø90

To drain the water from the shower trays. For shower trays with a drain outlet Ø90 mm. For shower trays without overflow  
Self-cleaning design of trap. Fully cleanable up to the waste pipe, Reduced installation height 65 mm. Direct connection to HT (after cutting)  
Simple fitting of the waste and trap covers. Material: polypropylene, thermally and chemically resistant, longitudinally welded  
•Flowrate: 37,2 l/min. Thermal resistance: 95. °C Odour trap: 30 mm EN 274



## A47CR-60

8594045930221

### Shower waste and trap chrome 60mm stainless steel grid Flow rate 49L 1/min.

•To drain the water from the shower trays •For shower trays without overflow •For shower trays with a drain outlet Ø60 mm  
•Material: polypropylene, thermally and chemically resistant, longitudinally welded •Waste can be connected using elbow A52 •Self-cleaning design of trap •Building height 79 mm •Removable basket for debris  
•Flowrate: 49 l/min •Thermal resistance: 95 °C •Odour trap: 50 mm EN 274



## A48

8594045930603

### Shower waste and trap with stainless steel grid chrome Flow rate 43L 1/min. Ø90

•To drain the water from the shower trays •For shower trays without overflow •For shower trays with a drain outlet Ø90 mm  
•Material: polypropylene, thermally and chemically resistant, longitudinally welded •Waste can be connected using elbow A52 •Fully cleanable up to the waste pipe •Building height 84 mm  
•Flowrate: 43 l/min •Thermal resistance: 95 °C •Odour trap: 50 mm EN 274

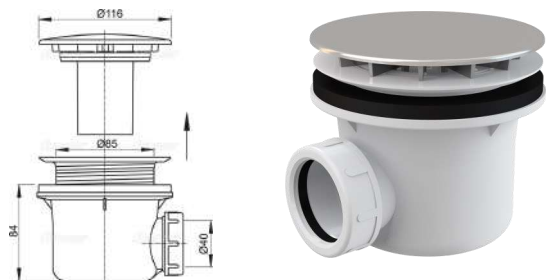


## A49CR

8594045930627

### Shower waste and trap with stainless steel grid chrome Flow rate 43L 1/min.

•To drain the water from the shower trays •For shower trays without overflow •For shower trays with a drain outlet Ø90 mm  
•Material: polypropylene, thermally and chemically resistant, longitudinally welded •Waste can be connected using elbow A52 •Fully cleanable up to the waste pipe •Building height 84 mm  
•Flowrate: 43 l/min •Thermal resistance: 95 °C •Odour trap: 50 mm EN 274



## DN90

Cover DN90 White for A491CR/A49CR

## S0053

White cover A491CR & A49CR



## S0852-ND DN90

Cover for A49CR

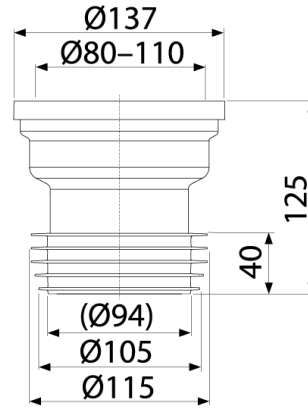
## S0035-ND DN60

Cover for A47CR

**A991** 8595580542078

**WC connect straight**

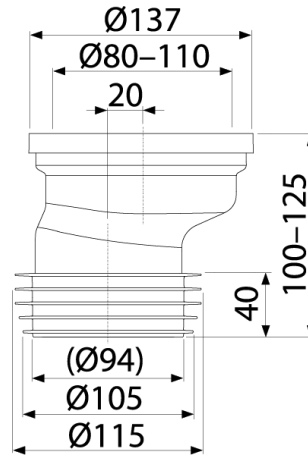
For connecting the WC to a bottom waste pipe  
 Connection to waste Ø110 mm  
 Material: polypropylene



**A991-20** 8595580542085

**WC connectors eccentric 20 mm**

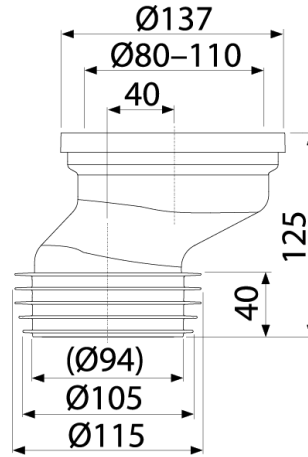
For connecting the toilet to the sewage pipe –  
 diameter 110 mm  
 Material soft PVC  
 Packaging – bag : 1 pcs  
 size –bag : 140×150×125 mm  
 weight – bag: 0.213 kg



**A991-40** 8595580542092

**WC connectors eccentric 40 mm**

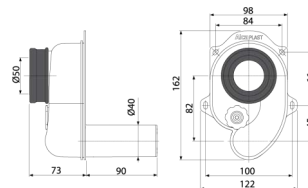
For connecting the toilet to the sewage pipe –  
 diameter 110 mm  
 Material soft PVC  
 Packaging – bag : 1 pcs  
 size –bag : 140×150×125 mm  
 weight – bag: 0.216 kg



**A45B** 8594045937596

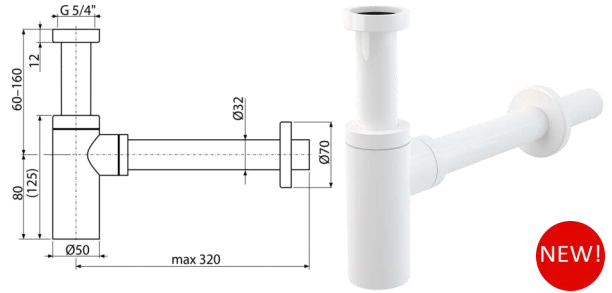
**Urinal trap horizontal outlet**

urinal trap built-in  
 waste pipe – diameter 40 mm  
 trap with seal for connection to urinal  
 packing - outer box: 25pcs  
 size - outer box: 590×390×240 mm  
 weight - outer box: 5.1kg



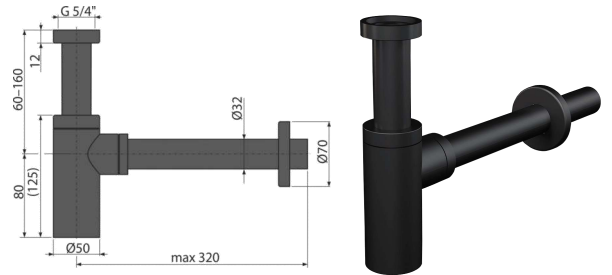
**A400B** 8595580567330

**Wash-basin trap DN32 DESIGN metal, round, white**  
 Connection to waste pipe Ø32 mm  
 Material: brass with white-polished finish



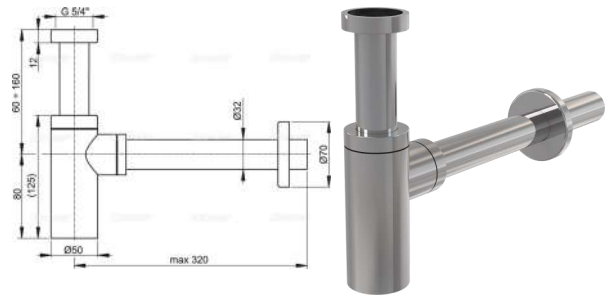
**A400BLACK** 8595580558673

**Wash-basin trap design dn32, black-matt**  
 For wash-basin  
 Customs code: 74182000  
 Odour trap 50 mm  
 Flow rate: 30 l/min  
 Connection to waste pipe Ø32 mm, High scratch resistance, Color: black-matt, Material: chrom-plated brass with black-matt finish  
 EN 274



**A400** 8594045937589

**Wash-basin trap design dn32, chrome**  
 For wash-basin  
 Customs code: 74182000  
 Odour trap 50 mm  
 Flow rate: 30 l/min  
 Connection to waste pipe Ø32 mm, High scratch resistance, Color: chrome, Material: chrom-plated brass  
 EN 274



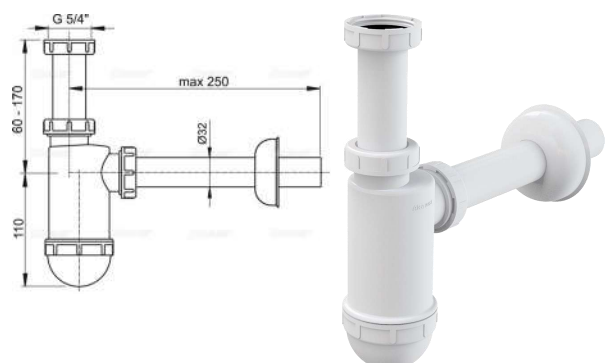
**A431** 8594045930665

**Wash-basin trap DN32 with coupling nut 5/4", metal**  
 Connection to waste pipe Ø32 mm  
 High scratch resistance  
 Material: chrome-plated brass  
 Odour trap 50 mm  
 Flow rate 34 l/min  
 Thermal resistance 95 °C  
 EN 274



**A430** 8594045935547

**Wash-basin trap Ø32 with coupling nut 5/4"**  
 For wash-basin  
 Connection to waste pipe Ø32 mm  
 polypropylene  
 Flow rate - 38 l/min, Thermal resistance - 95 °C,  
 Odour trap -58mm  
 EN 274

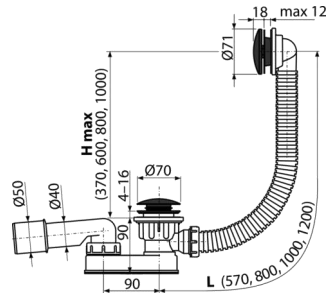


**A507BLACK** 8595580558697

**bath click/clack waste and trap, black-matt**

Odour trap: 43 mm, Flow rate: 48,6 l/min, Overflow flow rate: 42 l/min, Resistance of odour trap against the pressure: 588 Pa, Thermal resistance: 95 °C

Bath waste and overflow system, Wet odour trap with swivel elbow, Closing waste by CLICK/CLACK, Overflow flexi pipe, Reduced installation height, The length of the bathtub trap 57 cm, Color: black-matt, Material: metal with black-matt finish, Easy clean trap – thanks to completely removable waste outlet EN 274



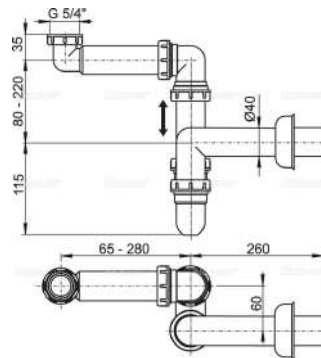
**A504KM**

**Plug kit  
S0986-ND+S0513-ND+S1015-ND**

**A434** 8595580503086

**space-saving wash-basin trap with coupling nut 5/4"**

For wash-basin To save space under the wash-basin  
Odour trap 64 mm, Flow rate 60 l/min,  
Thermal resistance 95 °C  
Connection to waste pipe Ø40 mm  
Material: polypropylene

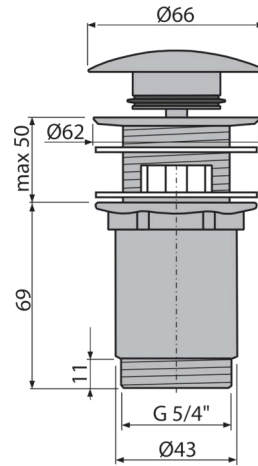


# Wash-basin click/clack waste

alca

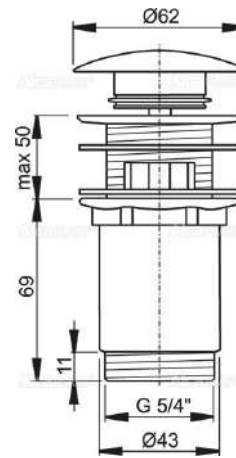
**A392C** 8595580561543

**Wash-basin click/clack waste 5/4", metal, big plug with overflow**  
Long life CLICK/CLACK mechanism  
Material: chrome-plated brass  
Highly resistant to mechanical damage  
Thread for connection to wash-basin trap 5/4"  
Easy clean trap – thanks to completely removable waste outlet thread 5/4"



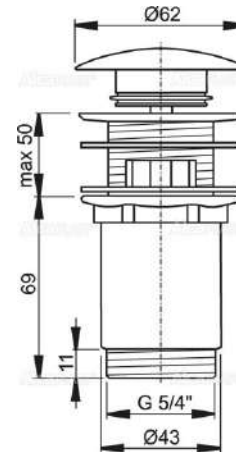
**A392B** 8595580539351

**wash-basin click/clack waste 5/4" metal with overflow, big white plug**  
For wash-basin with overflow  
Thread 5/4 - "  
Thread for connection to wash-basin trap 5/4"  
The surface is resistant to mechanical damage  
Long life CLICK/CLACK mechanism  
Material: chrome-plated brass



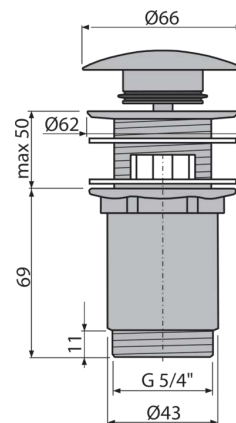
**A392BLACK** 8595580558666

**wash-basin click/clack waste 5/4", metal with overflow, big black plug**  
For wash-basin with overflow  
Thread 5/4 "  
Thread for connection to wash-basin trap 5/4"  
Highly resistant to mechanical damage  
Long life CLICK/CLACK mechanism  
Material: chromed brass coated black-mat



**A392-G-P** 8595580571665

**Wash-basin CLICK/CLACK waste 5/4" metal with overflow, big plug, GOLD-polished**  
For wash-basin with overflow  
Thread 5/4 "  
Thread for connection to wash-basin trap 5/4"  
The surface is resistant to mechanical damage  
Long life CLICK/CLACK mechanism  
Easy clean trap – thanks to completely removable waste outlet  
Material: brass with PVD surface finish



# Wash-basin click/clack waste

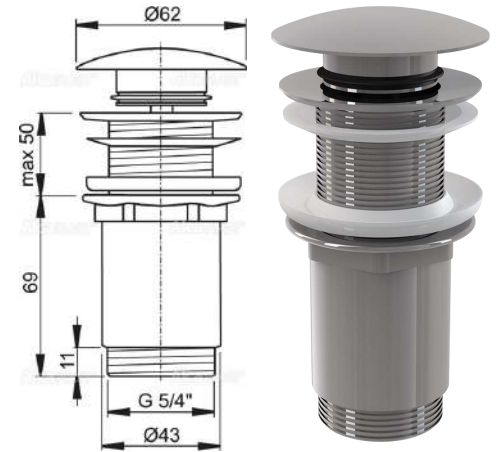
alca

**A395**

8595580500344

## Wash-basin click/clack waste 5/4", metal, big plug

For plastic and glass wash-basins, without overflow  
For plastic and glass wash-basins  
For wash-basins with overflow to trap  
Long life CLICK/CLACK mechanism  
Material: chrome-plated brass  
Highly resistant to mechanical damage  
Thread for connection to wash-basin trap 5/4"  
thread :5/4"



**A395B**

8595580539368

## wash-basin click/clack waste 5/4" metal without overflow, big white plug, for plastic and glass wash-basins

For plastic and glass wash-basin, with overflow to trap  
Thread 5/4 - "  
Thread for connection to wash-basin trap 5/4"  
The surface is resistant to mechanical damage  
Long life CLICK/CLACK mechanism  
Material: chrome-plated brass



**S1542-ND**

## Click clack mechanism

AC392/A504CKM/A507CKM



alca shop.

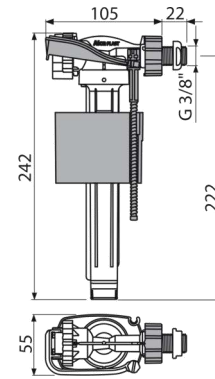


## A160P-3/8

8595580566746

### Side inlet fill valve metal thread for plastic prewall wc cisterns

For plastic cisterns and pre-wall installation systems, For replacement, For installation on the side of the cistern. Acoustic group I <20 dB. Working range 0,05 – 1,6 MPa Recommended operating pressure 0,5 – 0,8 MPa. Thread diameter 3/8 ". Compatible with pre-wall installation systems Alcaplast range A, Metal thread length 22 mm, Built-in filter to trap dirt, Smooth closing without any shocks, Adjustable water level, Low sensitivity to the changing pressure in the water main.

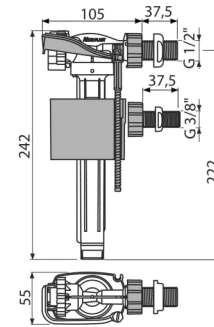


## A160UNI

8595580570644

### Universal valve for plastic and ceramic flushing cisterns includes 3/8 and 1/2 inch metal thread

Universal valve for plastic and ceramic flushing cisterns For replacement For installation on the side of the cistern For pre-wall installation systems

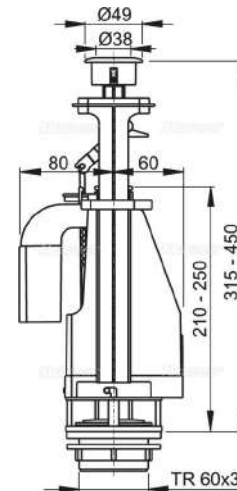


## A08A

8595580532772

### Flush valve with DUAL control button

For ceramic flushing cistern. For replacement, The design allows optimum height adjustment of the valve according to the height of the cistern, DUAL flush mechanism 3/6 l, STOP button to adjust the amount of discharged water, Option of the setting the button off the axis of the valve DUAL button chrome, Material: ABS Height adjustment range 315 – 450 mm, Functional requirements class I Flush volume of single flushes is determined by the size and the volume of the tank, Norms EN 14055



## A18-3/8"

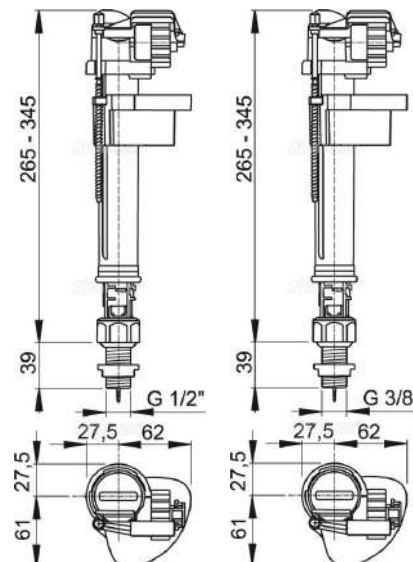
8594045931631

## A18-1/2"

8594045931624

### Bottom inlet fill valve metal thread

For ceramic flushing cistern, For replacement To install into the bottom of the cistern Metal thread length 39 mm, Built-in filter to trap dirt Smooth closing without any shocks, Adjustable water level Low sensitivity to the changing pressure in the water main The design allows optimum height adjustment of the valve according to the height of the cistern, Material: ABS Acoustic group II <30 dB Working range 0,05 – 0,8 MPa Recommended operating pressure 0,5 – 0,8 MPa Height adjustment range 265 – 345 mm Thread diameter 3/8 ", 1/2", Norms EN 14124





**A93-3/8"** 8595580501280

**Universal WC cistern ALCA UNI DUAL**

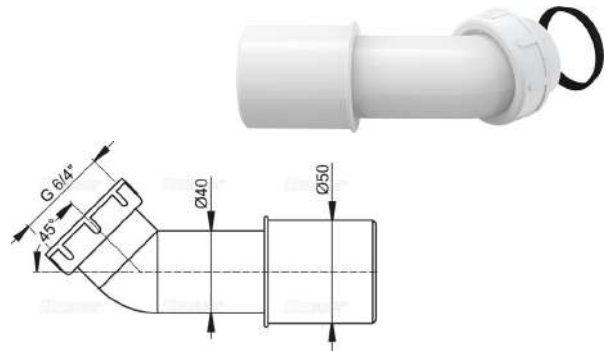
For installation on plaster  
 For mounting as high, medium and low-lying  
 The cistern is isolated against condensation, Water supply from left / right  
 Universal brackets with their spacing and shape are consistent with existing tanks  
 Volume 8 l with a large variety of settings for the flushing water volume  
 Flushing DUAL 3/6 l, Water saving setting  
 Design solution ensures the comfort when flushing even for children and handicapped people, Material: ABS  
 Functional requirements class I  
 Big flush 5,5 – 8 l, Small flush 2,5 – 3,5 l  
 The default setting of large flush 6 – l, The default setting of small flush 3 – l  
 When installed in a high rise position the tank is functional only with the big flush 6-8 l  
 Acoustic group II <30 dB, Working range 0,05 – 0,8 MPa  
 Recommended operating pressure 0,5 – 0,8 MPa  
 EN 14124, EN 14055



**A52** 8594045930696

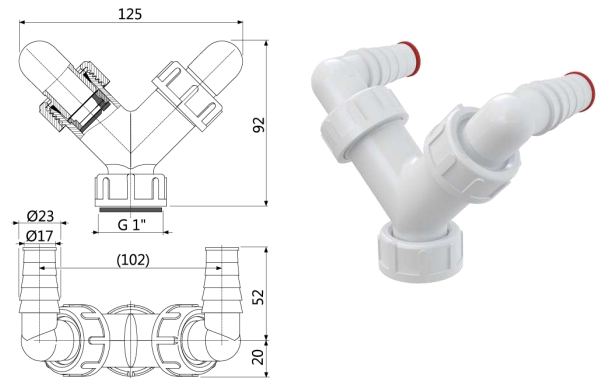
**ELBOW 45°**

For shower wastes and traps  
 For bath wastes and traps in combination with A53 6/4 "  
 Connection to waste pipe Ø40/50 mm  
 Material: ABS



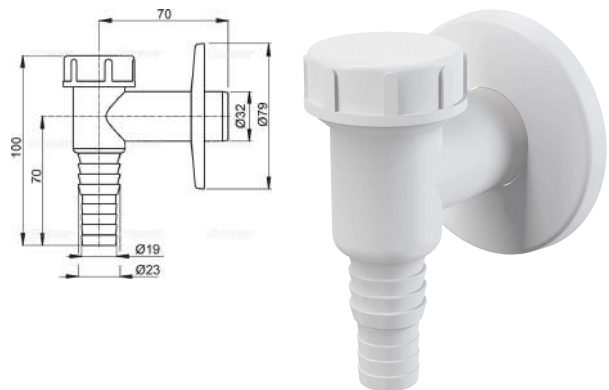
**P148Z** 8595580544973

**Double connectors**  
 G1"/ 17-23mm  
 with return valve



**APS2** 8594045933703

**External washing machine trap white**  
 to connect the washing machine or dishwasher



**M956** Flexible waste pipe holder

alca