

alca

Shower
drains



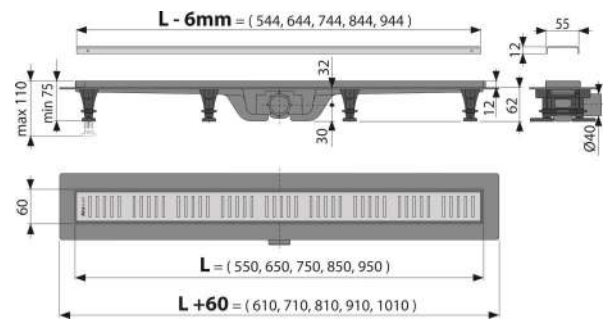
22 March 2024

www.alcadrain.com

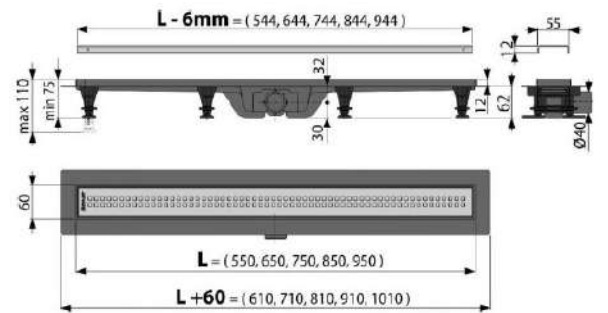
Plastic linear shower drains

Description	Ref. nr.	Bar code	
APZ10 Simple Plastic linear shower drain with an edge for perforated grids (lines) Flow rate 28L/min.	APZ10-550M	8595580538989	1 PCS
	APZ10-550M	8595580538989	5 PCS
	APZ10-550M	8595580538989	10 PCS
	APZ10-550M	8595580538989	20 PCS

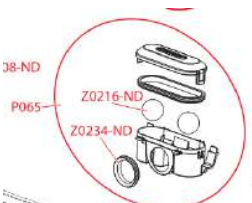
Description	Ref. nr.	Bar code	
APZ10 Simple Plastic linear shower drain with an edge for perforated grids (lines) Flow rate 28L/min.	APZ10-650M	8595580538996	
	APZ10-850M	8595580537463	
	APZ10-950M	8595580537470	



Description	Ref. nr.	Bar code	
APZ9 Simple Plastic linear shower drain with an edge for perforated grids (squares) Flow rate 28L/min.	APZ9-750M	8595580504083	
	APZ9-950M	8595580504120	



Description	Ref. nr.	Bar code	
Spare parts			
Grid for APZ10-550	Z0750-ND-550M		
odour trap for plastic shower drain APZ9/10	P065		
Sealing for trap P065	Z0234-ND		
Ball brushed	Z0216-ND		



Z0234-ND



P065

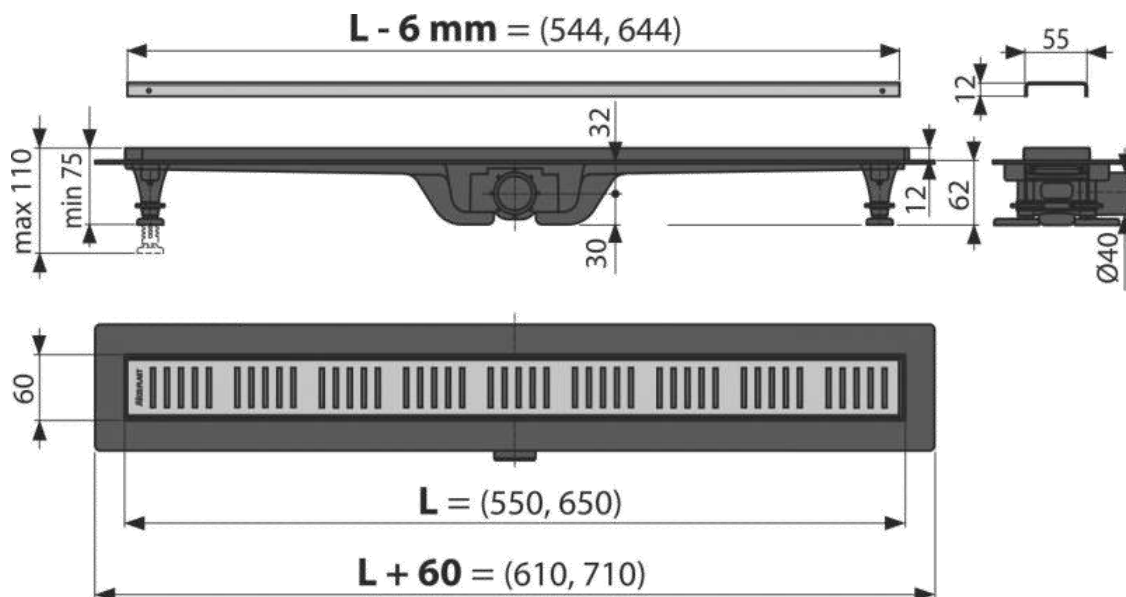
σιφόνι smart για υγρά και ξηρή παγίδα μυρωδιάς!

Z0216-ND



Description	Ref. nr.	Bar code
APZ10BLACK-BRASS Simple Plastic linear shower drain with an edge for perforated grids, black brass Flow rate 28L/min.	APZ10BLACK-550BRASS	8595580574888
	APZ10BLACK-650BRASS	8595580574840

NEW!



Description

APZ10BLACK Simple

Plastic linear shower drain with an edge for perforated grids, black
Flow rate 28L/min.

Ref. nr.

Bar code

APZ10BLACK-550M

8595580570767

APZ10BLACK-650M

8595580570804

APZ10BLACK-750M

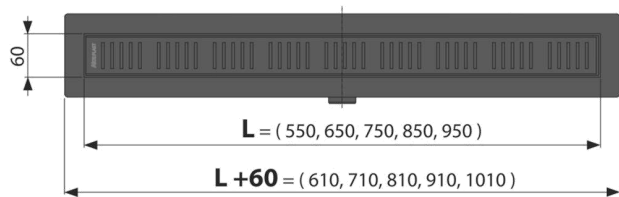
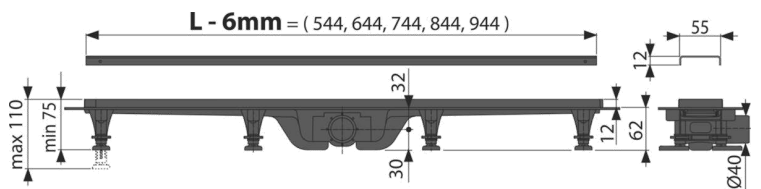
8595580570774



APZ10BLACK Simple



SMART



σιφόνι smart για γρήγη και ξηρή παγίδα μυρωδιάς!

Description	Ref. nr.	Bar code
APZ2012-OPTION9- Optimal	APZ2012-OPTION9-550	
Shower drain with an edge for two-sided grid	APZ2012-OPTION9-650	8595580577698 99.00
Flow of the inlet grid 50 l/min	APZ2012-OPTION9-750	
Application For wheelchair access For drainage of floor-level showers For installation into open spaces or near the wall of the shower area For indoor use	APZ2012-OPTION9-850	

Application

For wheelchair access
For drainage of floor-level showers
For installation into open spaces or near the wall of the shower area For indoor use

Features

Secure connection to the construction waterproofing system
Material: polypropylene filled with talc resistant to mechanical, chemical and thermal damage
Mechanically cleanable trap up to the waste pipe Self-adhesive tape for quality waterproofing Installation height from 77 mm
Wet odour trap with swivel elbow
Adjustable plastic anchor legs allowing fast and convenient installation, including the precise setting of the required level
High resistance against chemicals

Scope of supply

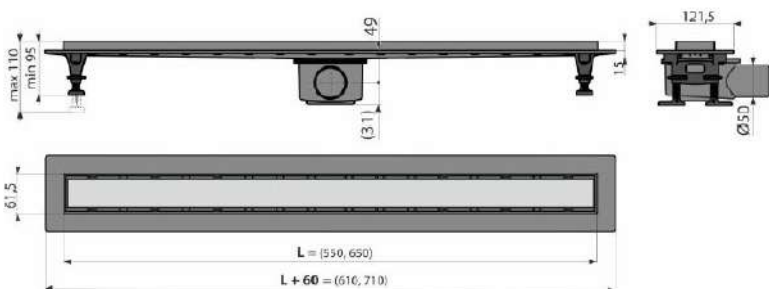
Fixing hardware for anchoring the adjustable legs: screw 4.2x9.5 – 8 pcs Two-sided grid OPTION
Self-adhesive waterproofing tape Strainer to capture the dirt
Wet odour trap Height adjustable feet Linear shower drain

Technical specifications

Total installation height 77-110 mm Minimum thickness of concrete 85 mm
Resistance of odour trap against the pressure 710 Pa Waste outlet diameter 40 mm
Flow of the inlet grid 40 l/min Load class K3 300 kg
Odor trap combined with a water seal 31 mm



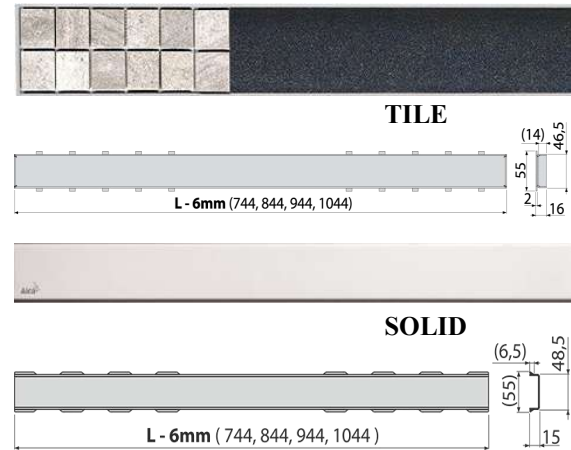
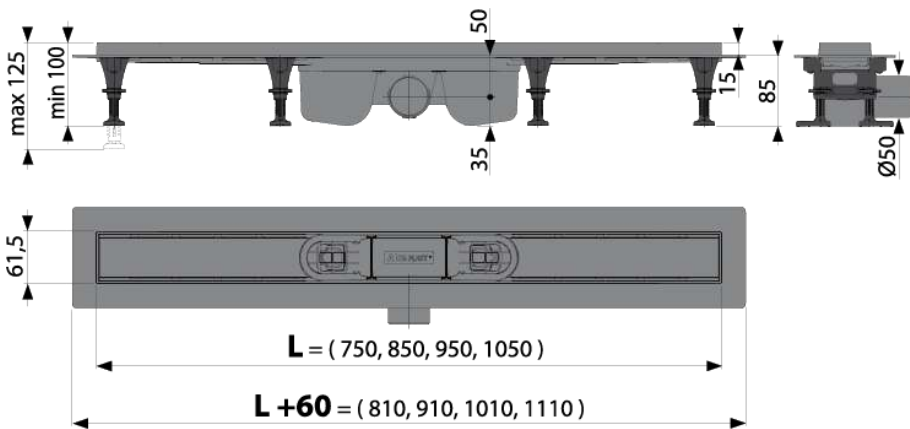
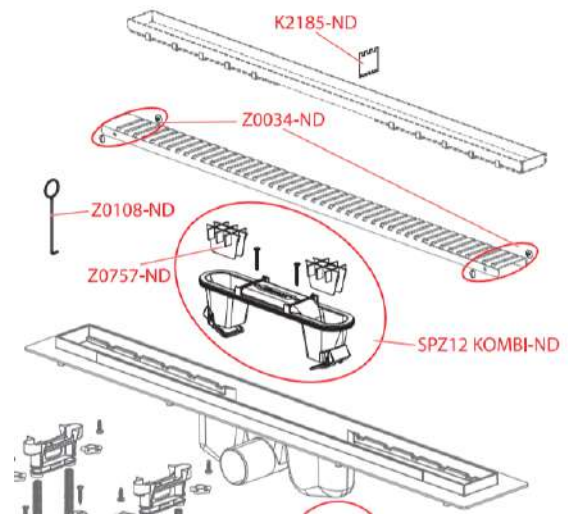
APZ2012-OPTION9-650



Description	Ref. nr.	Bar code
APZ12 Optimal Plastic linear shower drain for perforated grids or tile embedding +grid TILE + AP Flow rate 63-68.8L/min.	APZ12-750	8595580537425
	TILE-750	8595580542993
	APZ12-850	8595580541040
	TILE-850	8595580543006
	APZ12-950	8595580541057
	TILE-950	8595580543013
	APZ12-1050	8595580541064
	TILE-1050	8595580543020

Description	Ref. nr.	Bar code
APZ12 Optimal Plastic linear shower drain for perforated grids or tile embedding +grid SOLID + AP Flow rate 63-68.8L/min.	APZ12-750	8595580537425
	SOLID-750	8595580548797
	APZ12-850	8595580541040
	SOLID-850	8595580548803
	APZ12-950	8595580541057
	SOLID-950	8595580548810
	APZ12-1050	8595580541064
	SOLID-1050	8595580548827

APZ12 Optimal



Spare parts optional for APZ12 Optimal

SPZ12 KOMBI TRAP	SPZ12
Z0757 Stainer	Z0757
Spaces for Grid APZ12 (OPTION/SOLID/TILE)	Z1537

Description	Ref. nr.	Bar code
APZ2012 Optimal +grid TILE + P138 DN50 Flow of the inlet grid >50 l/min	APZ2012-650	8595580559489
	TILE-650	8595580559618
	P138 DN50	8595580559854

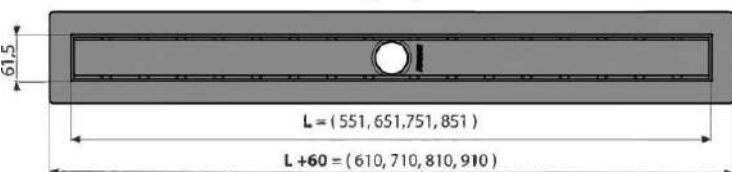
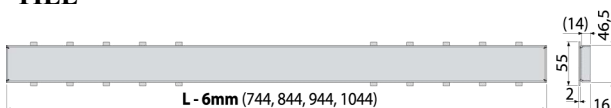
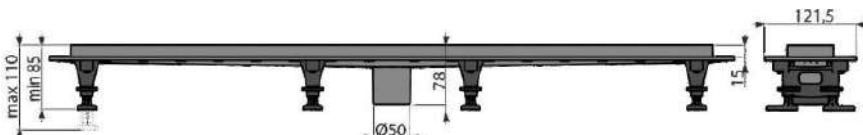
Description	Ref. nr.	Bar code
APZ2012 Optimal +grid SOLID + P138 DN50 Flow of the inlet grid >50 l/min	APZ2012-650	8595580559489
	SOLID-650	8595580559632
	P138 DN50	8595580559854

APZ2012 Optimal

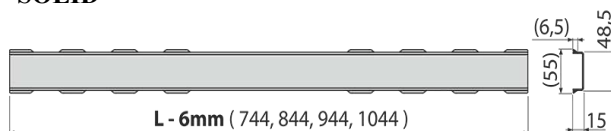
P138 DN50



TILE



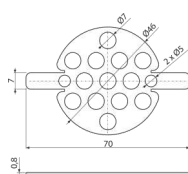
SOLID



P142 DN40

8595580560485

Spare parts optional for APZ2012 Optimal extra-low trap dn40 for shower drains apz2012



P184-ND

8595580574390

Stainless steel grid (APZ2012, APZ2022)
SS Grid Hair Trap

Description

APZ13 DOUBLE9

Stainless steel linear shower drain
+ grid **TILE** or + grid **SOLID**

Ref. nr.

Bar code

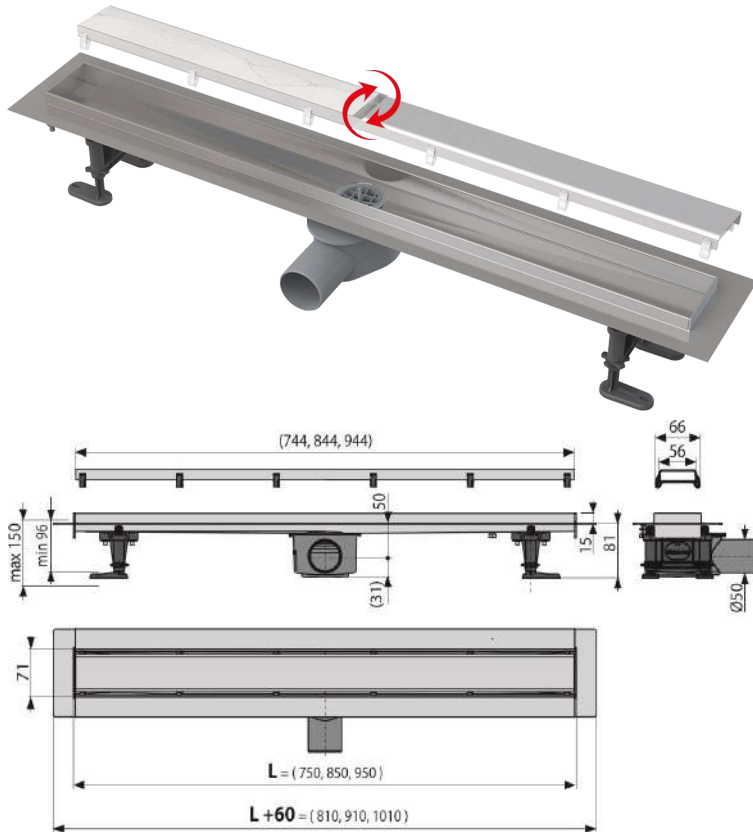
APZ13-DOUBLE9-550 8595580571443

APZ13-DOUBLE9-650 8595580571450

APZ13-DOUBLE9-750 8595580562724

APZ13-DOUBLE9-850 8595580562731

APZ13-DOUBLE9-950 8595580562748



APZ13-DOUBLE9 Fit and Go

Shower drain
(550, 650, 750, 850, 950 mm)



 All in package



Spare parts for APZ13 Modular

combined odour trap for apz-s9 for drain APZ13
σιφόνι smart για υγρά και ξηρή παγίδα μυρω-
διάς!

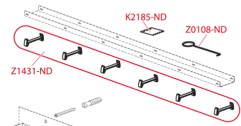
P144

8595580562304



Spacer for double grid APZ13-DOUBLE9

Z1431-ND

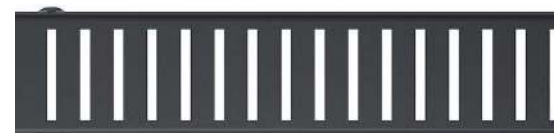
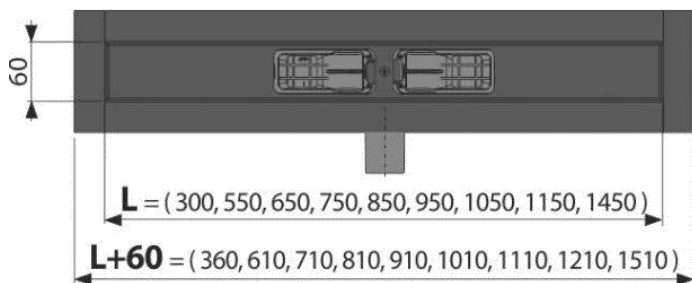
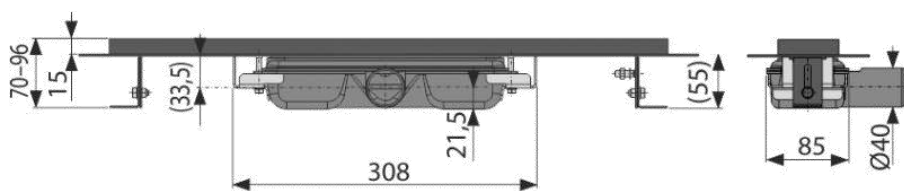


Hair trap for APZ13

Z1022-ND

Description	Ref. nr.	Bar code
<p>APZ101BLACK shower drain with an edge for perforated grids, black-matt</p> <p>For indoor use For drainage of floor-level showers For installation into open spaces or near the wall of the shower area For perforated stainless steel grids For wheelchair access For sites with limited floor height</p>	<p>APZ101BLACK-550 + PURE GRID 550</p>	
	<p>APZ101BLACK-750 + PURE GRID 750</p>	

APZ101BLACK

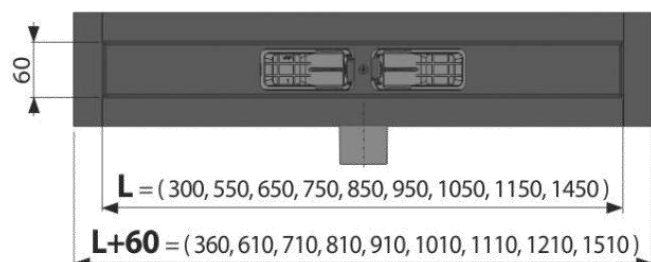
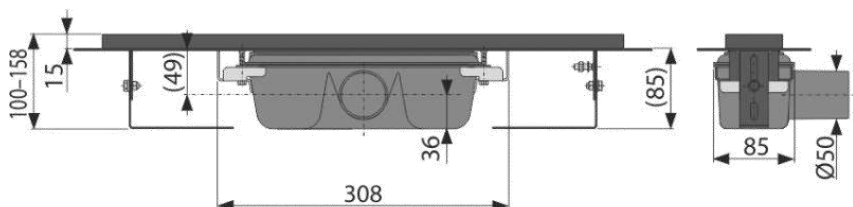
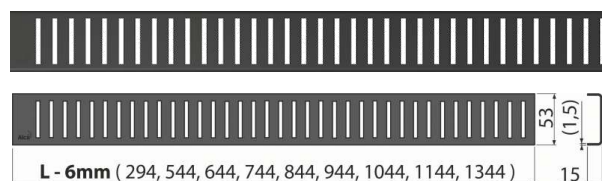


Description	Ref. nr.	Bar code
APZ1BLACK shower drain with an edge for perforated grids, black-matt	APZ1BLACK-550	8595580511883
	PURE-550BLACK	8595580513344
	APZ1BLACK-650	8595580512002
	PURE-650BLACK	8595580513696
	APZ1BLACK-750	8595580512293
	PURE-750BLACK	8595580513887

APZ1BLACK



PURE-BLACK



BLACK-MATT
WILL HIGHLIGHT
THE NEW LOOK
OF YOUR
BATHROOM



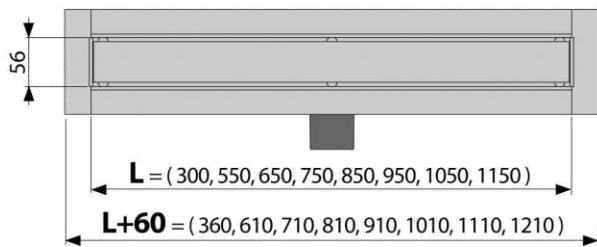
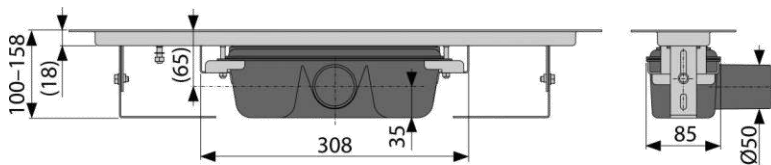
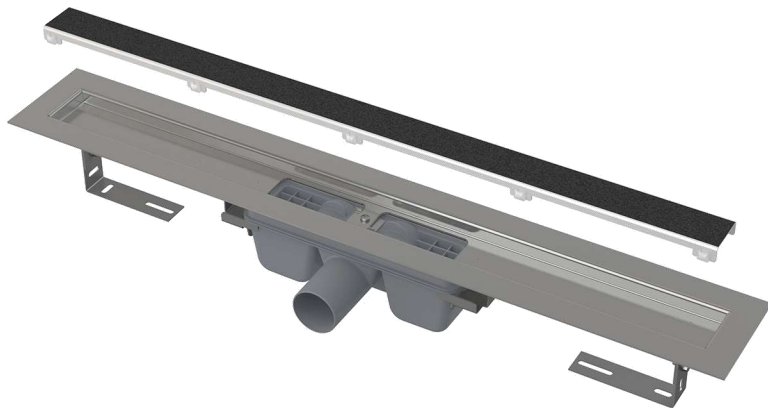
**Shower drain APZ1BLACK
in black-matt finish**

Our linear shower drains APZ1 and APZ101 are now available in the modern black-matt finish, supplemented by PURE BLACK grid. We always think about details, that is why the odour trap is black as well. It merges fully with the grid and the shower drain.



Description	Ref. nr.	Bar code
APZ15 MARBLE shower drain without edge with grid for embedding tiles	APZ15-550	8595580565534
	APZ15-650	8595580565541
	APZ15-750	8595580565558

APZ15 MARBLE



MINIMALISTIC DESIGN
The new construction of the shower drain and grid without frame merges the floor surface in the bathroom



INSTALLATION WITHOUT LIMIT
The grid allows application of tiles of any thickness



FOR LARGE FORMAT BOARDS FROM NATURAL STONE
Template for cutting floor coverings is part of the packing



ALL IN PACKAGE



Description	Ref. nr.	Bar code	Price €	complete
APZ1 Stainless steel shower drain with an edge for perforated grids Flow rate 63-68.8L/min.	APZ1-650	8594045932928	160.00	200.00
	LINE-650M	8594045932027	40.00	
	APZ1-850	8594045932942	160.00	210.00
	LINE-850M	8594045932065	50.00	
	APZ1-950	8594045932959	180.00	230.00
	LINE-950M	8594045932089	50.00	
	APZ1-1050		200.00	250.00
	LINE-1050M	8594045932126	50.00	
	APZ1-1150	8594045939897	210.00	260.00
	LINE-1150M	8594045939484	50.00	

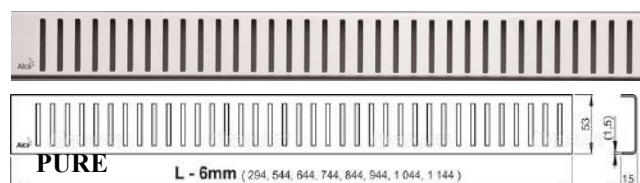
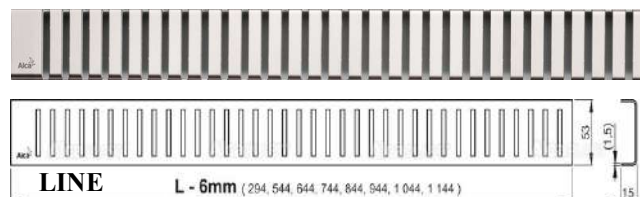
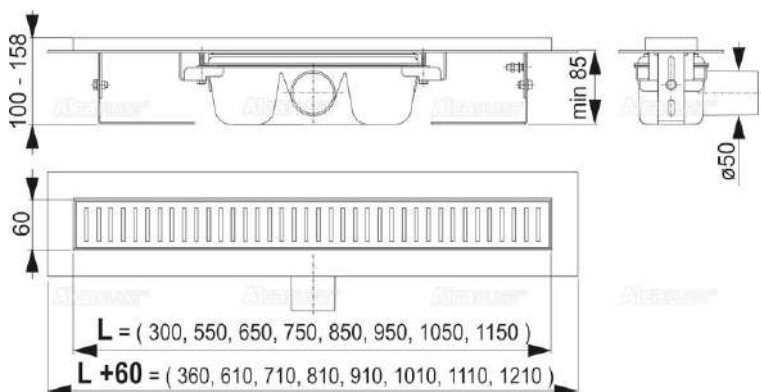
Clearance!

Description	Ref. nr.	Price €	complete	
APZ1 Stainless steel shower drain with an edge for perforated grids Flow rate 63-68.8L/min.	APZ1-550	8594045939200	150.00	190.00
	PURE-550M	8594045939491	40.00	
	APZ1-650	8594045932928	160.00	200.00
	PURE-650M	8594045932171	40.00	
	APZ1-850	8594045932942	160.00	210.00
	PURE-850M	8594045932270	30.00	
	APZ1-950	8594045932959	180.00	230.00
	PURE-950M	8594045932294	50.00	
	APZ1-1050		200.00	250.00
	PURE-1050M	8594045932317	50.00	
APZ1-1150	8594045939897	210.00	260.00	
PURE-1150M	8594045939514	50.00		

Clearance!



APZ1



APV140

Floor drain

130×130 mm side outlet, two-sided stainless steel grid, wet odour trap

For the interior, where will be frequent use associated with the regular water runoff into the floor drain (bathrooms)

For drainage of floor level showers

For wheelchair access

Flow rate 48 l/min

Odour trap 50 mm

Resistance of odour trap against the pressure 540 Pa

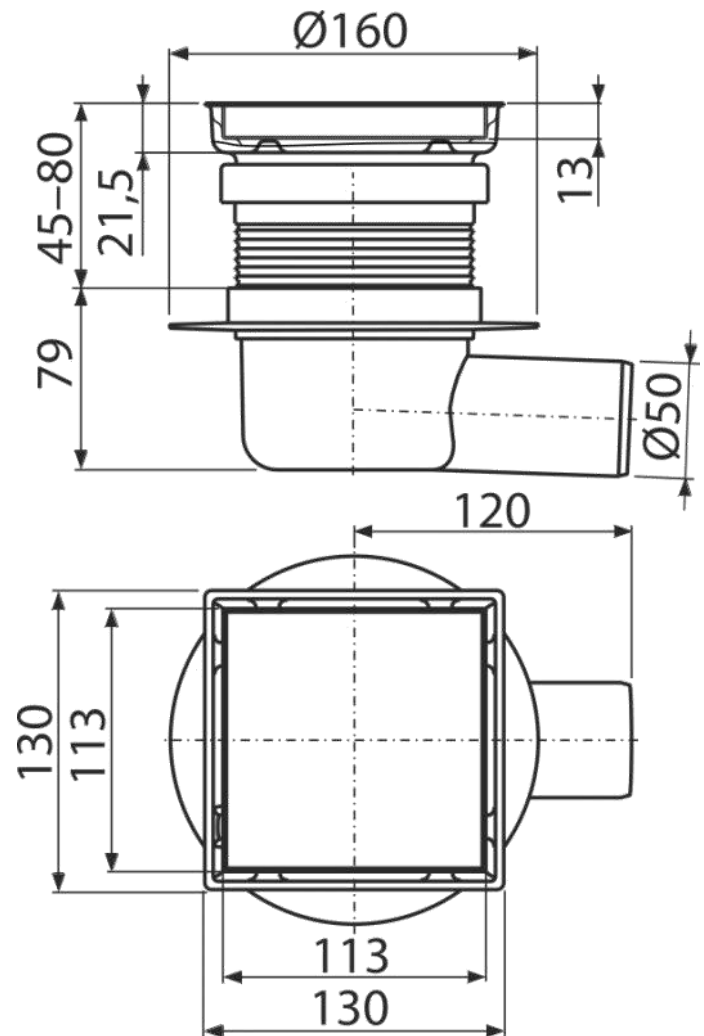
Load class K3300 kg

Waste pipe diameter 50 mm

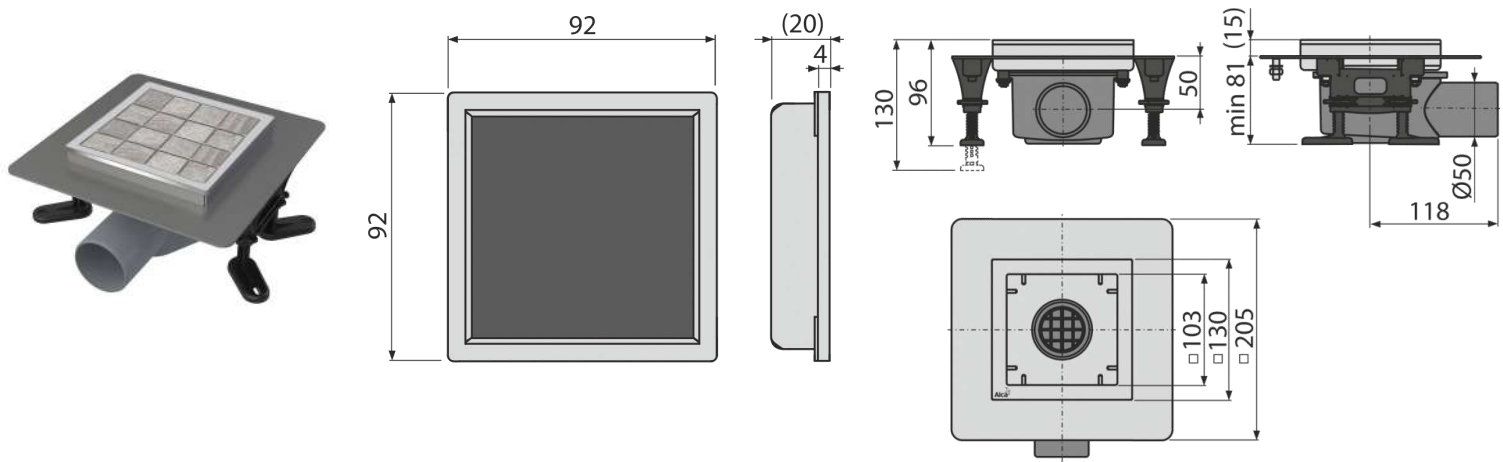
Total installation height 108 – 162 mm

APV140

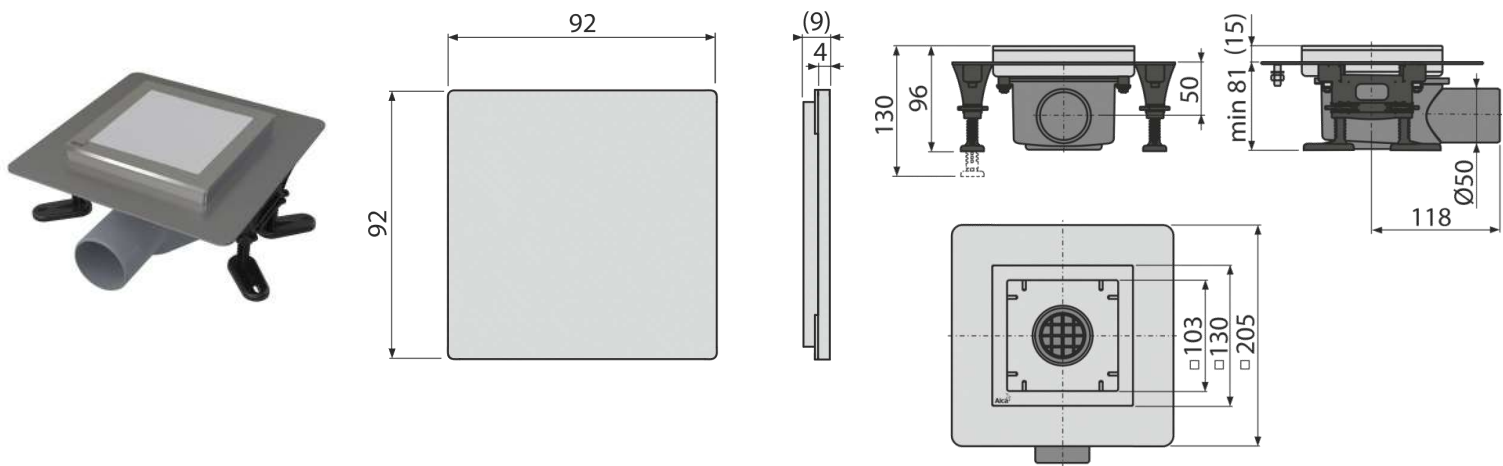
8595539269097



Description	Ref. nr.	Bar code
APV120 + MPV016	APV120	8595580555146
Floor drain	MPV016	8595580555528



Description	Ref. nr.	Bar code
APV120 + MPV013	APV120	8595580555146
Floor drain	MPV013	8595580555535



Application: For wheelchair access. For drainage of floor level. For the interior, where will be frequent use associated with the regular water runoff into the floor drain (bathrooms) - wet odour trap.

Specifications: Side connection to waste Ø50 mm. Material of trap: polypropylene resistant to mechanical, chemical and thermal damage. Material of floor drain: stainless steel AISI 304, DIN 1.4301, DIN 17240. Mechanically cleanable trap up to the waste pipe. Wide insulation collar for connection to waterproofing construction. Installation height from 81,5 mm

Technical parameters: Resistance of odour trap against the pressure -380 Pa. Flow rate - 50 l/min. Load class K3- 300 kg. Odour trap- 30 mm

Norms: EN 1253 **Grid for stainless steel floor drains 92×92 mm for embedding tiles**

Application: For floor drains APV110, APV120 and APV130. For embedding tiles or waterproof wood.

Technical parameters: Load class K3 -300 kg

Specifications: The inner side of this profile has a special covering with a specially roughened surface to facilitate bonding with the glue for the tiles.

Material: stainless steel AISI 304, DIN 1.4301, **Norms:** EN 1253

Spare parts for all shower drains

Shower drain hook

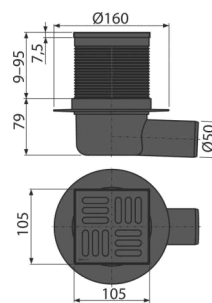
Z0108-ND

APV31BLACK

8595580574895

39.00

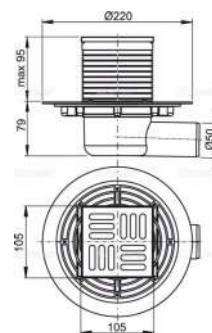
Floor drain 105×105/50 mm side outlet, stainless steel grid black-matt, combined odour trap SMART



APV1311

8595580518455

Floor drain 105×105/50 mm side outlet, stainless steel grid, wet odour trap

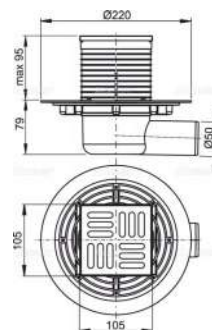


APV101

8594045930368

floor drain 105 × 105/50 side outlet, stainless steel grid, wet odour trap.

Packaging – outer box-8 pcs. Size – outer box-780×245×475 mm. Weight – outer box- 8,2 kg. Load class (ČSN EN 1253- K3. Flow rate- 46 l/min.

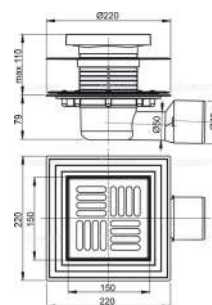


APV3444

8595580518523

floor drain for outdoor & interior 150×150/50/75 mm side outlet, stainless steel grid, stainless steel flange and collar-2nd level insulation, wet and dry odour trap.

The flow of the inlet grid (wet odour trap) 46 l/min
 The flow of the inlet grid (dry odour trap) 62 l/min
 Wet odour trap 51 mm. Resistance of odour trap against the pressure 480 Pa. Load class K3 300 kg. Waste pipe diameter 50 – 75 mm
 Total installation height 79 – 189 mm.



APV5411

8595580520762

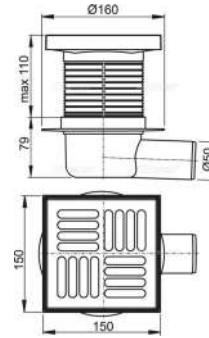
Interior floor drain 150 × 150/50 side outlet, stainless steel grid, wet odour trap.

Flow of the inlet grid 46 l/min

Wet odour trap 51 mm

Resistance of odour trap against the pressure 480 Pa. Load class K3 300 kg. Waste pipe diameter 50 mm

Total installation height 79 – 189 mm.



APV26

8595580503765

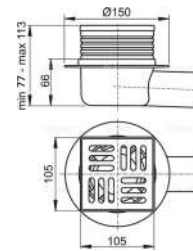
Floor drain 105×105/50 mm side outlet, stainless steel grid, wet odour trap

Application: For the interior, where will be frequent use associated with the regular water runoff into the floor drain (bathrooms). For drainage of floor level showers. For wheel-chair access. Norms: EN 1253. Customs code- 39269097.

Technical parameters: Flow of the inlet grid- 32 l/min. Odour trap- 25 mm. Total installation height -77 – 113 mm. Waste pipe diameter- 50 mm. Load class K3 300 kg.

Specifications: Reduced installation height. Stainless steel grid 102×102×5 mm. Height adjustable throat 11–47 mm. Insulation collar for connection to waterproofing of the building. Side connection to waste Ø50 mm. Mechanically cleanable trap up to the waste pipe. Wet odour trap prevents the penetration of odours from the sewer.

Material: polypropylene resistant to mechanical, chemical and thermal damage. Material: stainless steel AISI 304, DIN 1.4301



APV0010

8595580507473

WET ODOUR TRAP

Application: For floor drains, For interior use

Norms: EN 1253, Customs code: 39269097

Technical parameters: Flow rate 46 l/min, Resistance of odour trap against the pressure 480 Pa, Odour trap 51 mm

Specifications: Wet odour trap prevents the penetration of odours from the sewer

Material: polypropylene resistant to mechanical, chemical and thermal damage.

