

# alca

Shower  
drains



13 July 2023

[www.alcadrain.com](http://www.alcadrain.com)

**Plastic linear shower drains**

Description

**APZ9 Simple**

Plastic linear shower drain with an edge for perforated grids (squares)  
Flow rate 28L/min.

Ref. nr.

Bar code

APZ9-650M

8595580538972

APZ9-750M

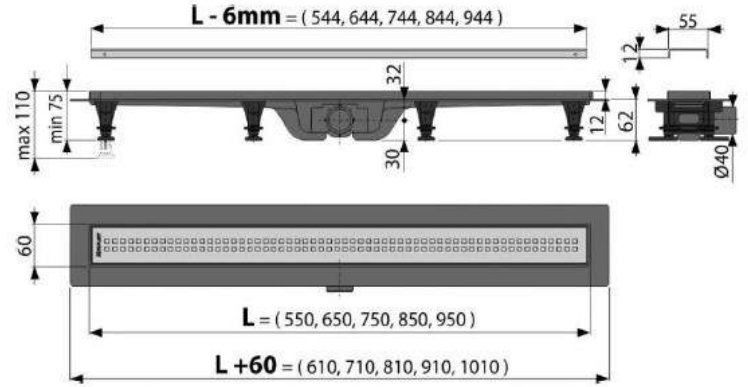
8595580504083

APZ9-950M

8595580504120



APZ9 Simple



Description

**APZ10 Simple**

Plastic linear shower drain with an edge for perforated grids (lines)  
Flow rate 28L/min.

Ref. nr.

Bar code

APZ10-550M

8595580538989

APZ10-650M

8595580538996

APZ10-750M

8595580537456

APZ10-850M

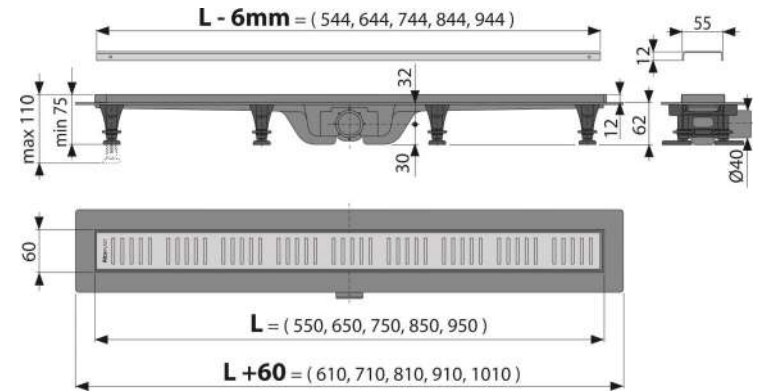
8595580537463

APZ10-950M

8595580537470



APZ10 Simple



Description

**Spare parts**

Grid for APZ10-550

Ref. nr.

Bar code

Z0750-ND-550M

odour trap for plastic shower drain APZ9/10

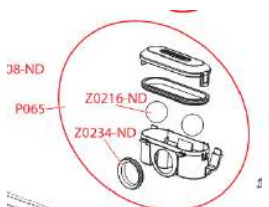
P065

Sealing for trap P065

Z0234-ND

Ball brushed

Z0216-ND



Z0234-ND



P065

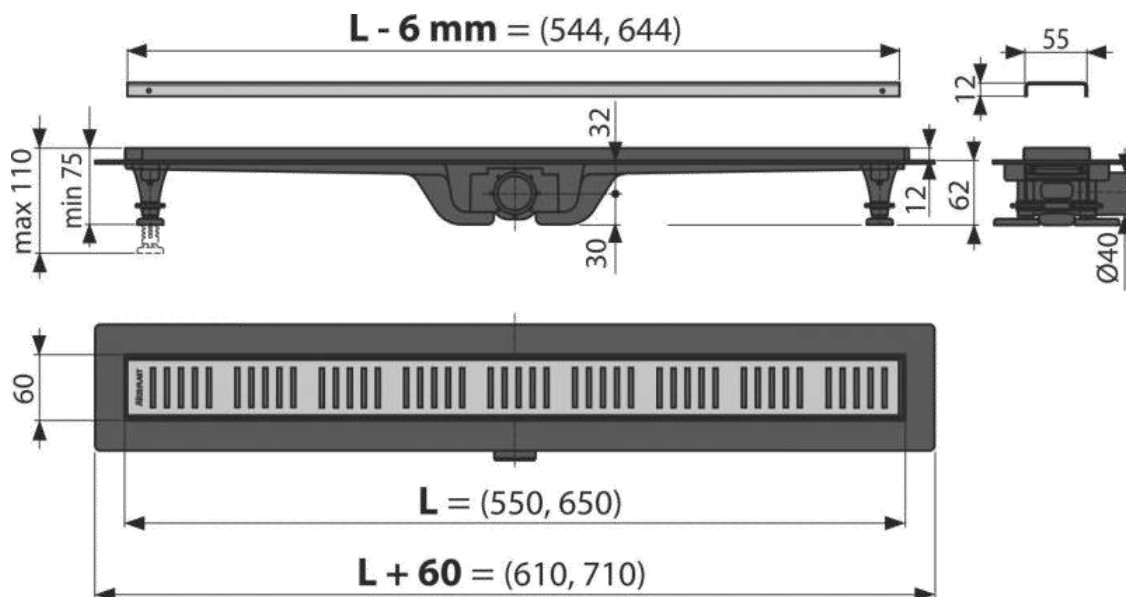
σιφόνι smart για υγρά και ξηρή παγίδα μυρωδιάς!

Z0216-ND



Description	Ref. nr.	Bar code
<b>APZ10BLACK-BRASS Simple</b> Plastic linear shower drain with an edge for perforated grids, black brass Flow rate 28L/min.	APZ10BLACK-550BRASS	8595580574888
	APZ10BLACK-650BRASS	8595580574840

**NEW!**



Description

**APZ10BLACK Simple**

Plastic linear shower drain with an edge for perforated grids, black  
Flow rate 28L/min.

Ref. nr.

Bar code

APZ10BLACK-550M

8595580570767

APZ10BLACK-650M

8595580570804

APZ10BLACK-750M

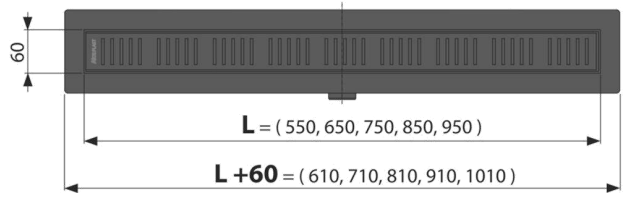
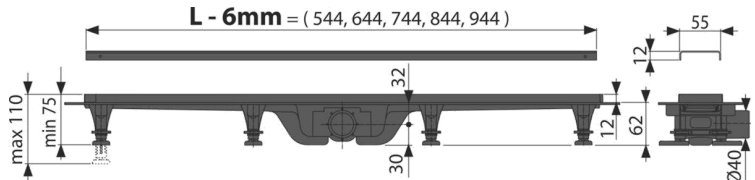
8595580570774



**APZ10BLACK Simple**



SMART



σιφόνι smart για γρήγη και ξηρή παγίδα μυρωδιάς!

Plastic linear shower drains

Description

**APZ12 Optimal**

Plastic linear shower drain for perforated grids or tile embedding  
 +grid **TILE** + AP  
 Flow rate 63-68.8L/min.

Ref. nr. Bar code

APZ12-750	8595580537425
TILE-750	8595580542993
APZ12-850	8595580541040
TILE-850	8595580543006
APZ12-950	8595580541057
TILE-950	8595580543013
APZ12-1050	8595580541064
TILE-1050	8595580543020

Description

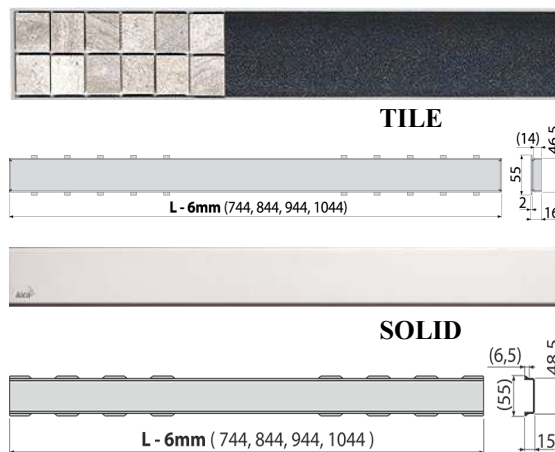
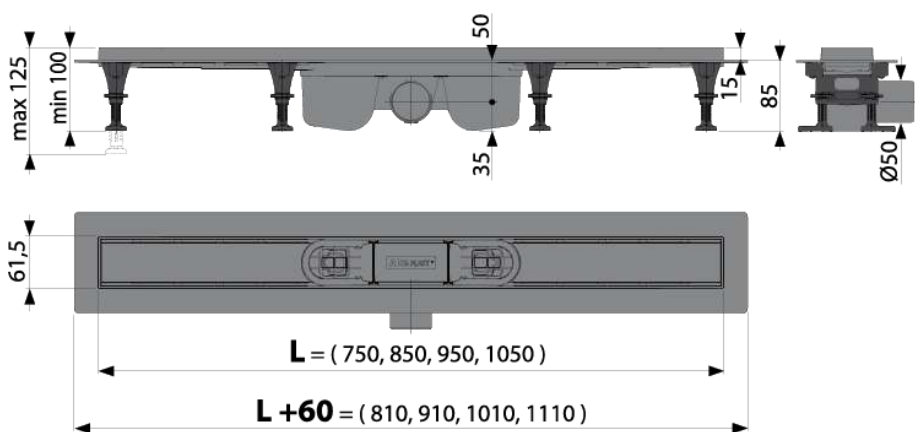
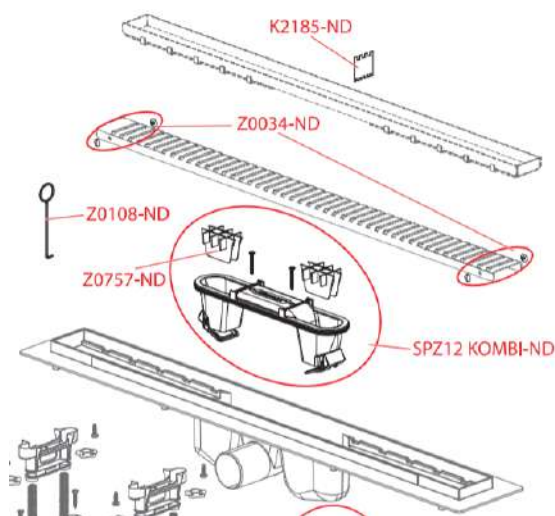
**APZ12 Optimal**

Plastic linear shower drain for perforated grids or tile embedding  
 +grid **SOLID** + AP  
 Flow rate 63-68.8L/min.

Ref. nr. Bar code

APZ12-750	8595580537425
SOLID-750	8595580548797
APZ12-850	8595580541040
SOLID-850	8595580548803
APZ12-950	8595580541057
SOLID-950	8595580548810
APZ12-1050	8595580541064
SOLID-1050	8595580548827

**APZ12 Optimal**



**Spare parts optional** for APZ12 Optimal

SPZ12 KOMBI TRAP	SPZ12
Z0757 Stainer	Z0757
Spaces for Grid APZ12 (OPTION/SOLID/TILE)	Z1537

Description	Ref. nr.	Bar code
<b>APZ2012 Optimal +grid TILE</b> <b>+ P138 DN50</b> Flow of the inlet grid >50 l/min	<b>APZ2012-550</b>	8595580559472
	<b>TILE-550</b>	8595580559601
	<b>P138 DN50</b>	8595580559854
	<b>APZ2012-650</b>	8595580559489
	<b>TILE-650</b>	8595580559618
	<b>P138 DN50</b>	8595580559854

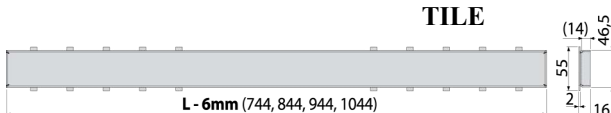
Description	Ref. nr.	Bar code
<b>APZ2012 Optimal +grid SOLID</b> <b>+ P138 DN50</b> Flow of the inlet grid >50 l/min	<b>APZ2012-550</b>	8595580559472
	<b>SOLID-550</b>	8595580559625
	<b>P138 DN50</b>	8595580559854
	<b>APZ2012-650</b>	8595580559489
	<b>SOLID-650</b>	8595580559632
	<b>P138 DN50</b>	8595580559854

**APZ2012 Optimal**

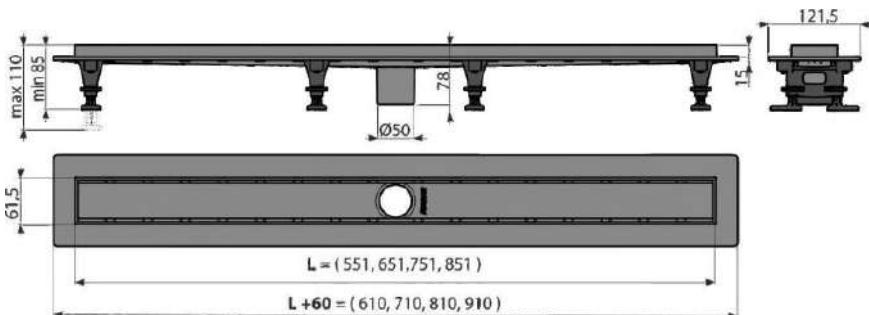
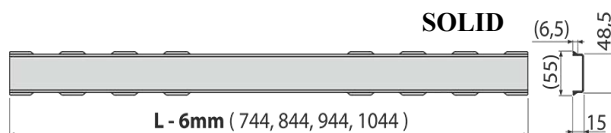
**P138 DN50**



**TILE**



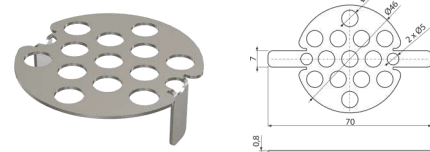
**SOLID**



**P142 DN40**

8595580560485

Spare parts optional for APZ2012 Optimal extra-low trap dn40 for shower drains apz2012

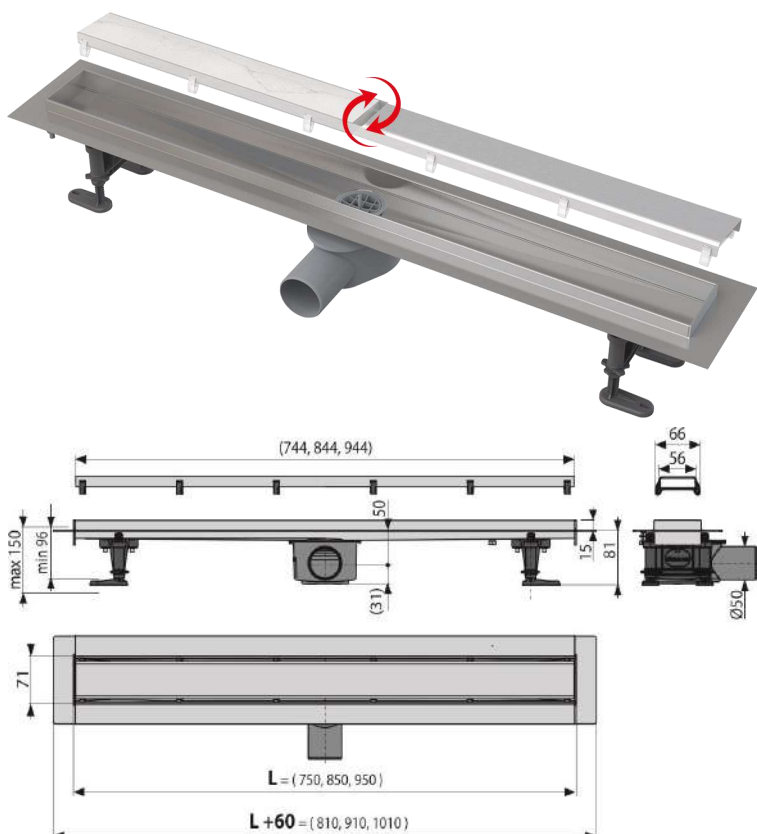


**P184-ND**

8595580574390

Stainless steel grid (APZ2012, APZ2022)  
SS Grid Hair Trap

Description	Ref. nr.	Bar code
<b>APZ13 DOUBLE9</b> Stainless steel linear shower drain + grid <b>TILE</b> or + grid <b>SOLID</b>	APZ13-DOUBLE9-550	8595580571443
	APZ13-DOUBLE9-650	8595580571450
	APZ13-DOUBLE9-750	8595580562724
	APZ13-DOUBLE9-850	8595580562731
	APZ13-DOUBLE9-950	8595580562748



## APZ13-DOUBLE9 Fit and Go

Shower drain  
(550, 650, 750, 850, 950 mm)



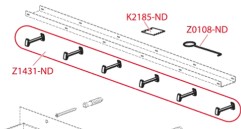
All in package



## Spare parts for APZ13 Modular



combined odour trap for apz-s9 for drain APZ13 **P144** 8595580562304  
σιφόνι smart για υγρή και ξηρή παγίδα μυρωδιάς!

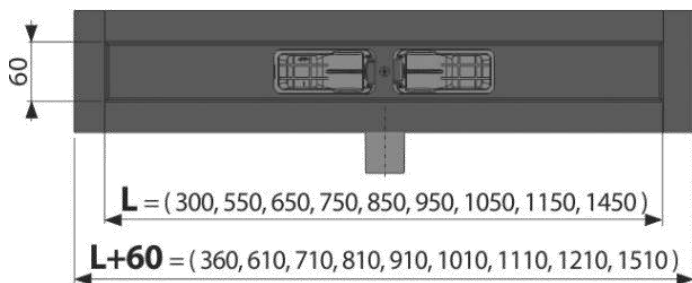
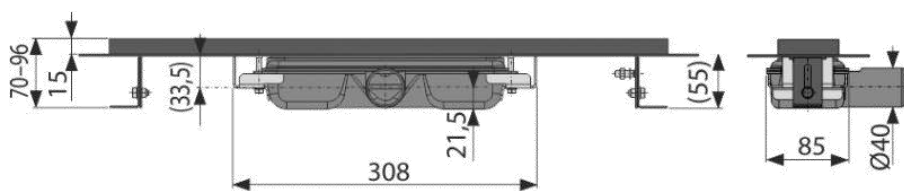


Spacer for double grid APZ13-DOUBLE9 **Z1431-ND**

Hair trap for APZ13 **Z1022-ND**

Description	Ref. nr.	Bar code
<p><b>APZ101BLACK</b>                      shower drain with an edge for perforated grids,                      black-matt</p> <p>For indoor use                      For drainage of floor-level showers                      For installation into open spaces or near the wall of the shower area                      For perforated stainless steel grids                      For wheelchair access                      For sites with limited floor height</p>	<p><b>APZ101BLACK-550 +</b>                      PURE GRID 550</p>	
	<p><b>APZ101BLACK-750 +</b>                      PURE GRID 750</p>	

**APZ101BLACK**



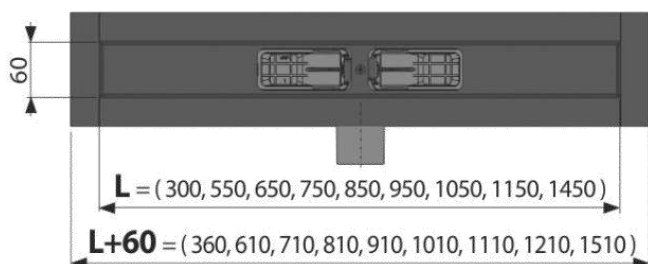
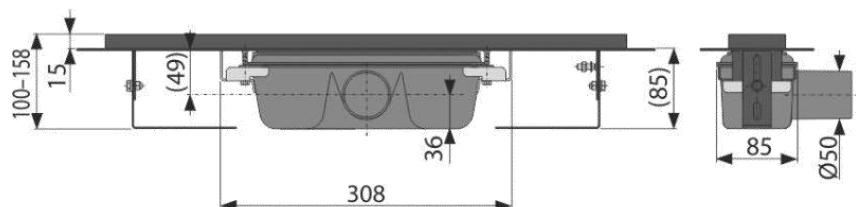
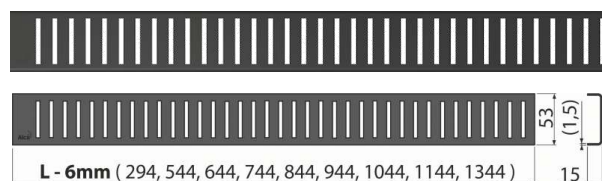


Description	Ref. nr.	Bar code
<b>APZ1BLACK</b> shower drain with an edge for perforated grids, black-matt	<b>APZ1BLACK-550</b>	8595580511883
	PURE-550BLACK	8595580513344
	<b>APZ1BLACK-650</b>	8595580512002
	PURE-650BLACK	8595580513696
	<b>APZ1BLACK-750</b>	8595580512293
	PURE-750BLACK	8595580513887

**APZ1BLACK**



PURE-BLACK



**BLACK-MATT  
WILL HIGHLIGHT  
THE NEW LOOK  
OF YOUR  
BATHROOM**



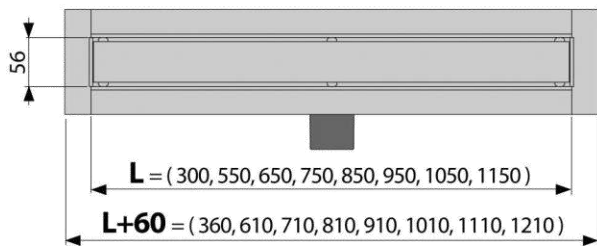
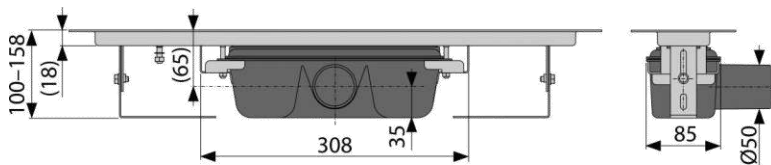
**Shower drain APZ1BLACK  
in black-matt finish**

Our linear shower drains APZ1 and APZ101 are now available in the modern black-matt finish, supplemented by PURE BLACK grid. We always think about details, that is why the odour trap is black as well. It merges fully with the grid and the shower drain.



Description	Ref. nr.	Bar code
<b>APZ15 MARBLE</b> shower drain without edge with grid for embedding tiles	APZ15-550	8595580565534
	APZ15-650	8595580565541
	APZ15-750	8595580565558

## APZ15 MARBLE



**MINIMALISTIC DESIGN**  
The new construction of the shower drain and grid without frame merges the floor surface in the bathroom



**INSTALLATION WITHOUT LIMIT**  
The grid allows application of tiles of any thickness



**FOR LARGE FORMAT BOARDS FROM NATURAL STONE**  
Template for cutting floor coverings is part of the packing



**ALL IN PACKAGE**

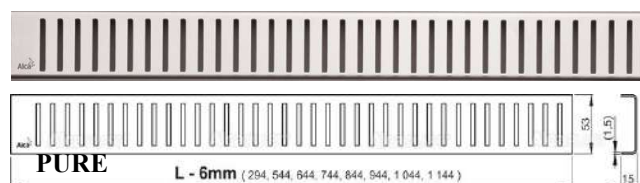
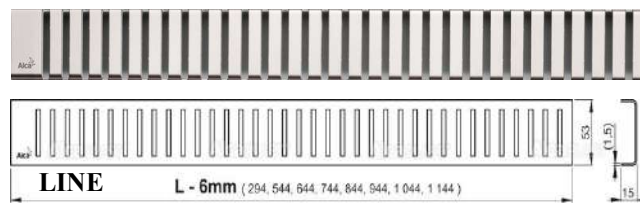
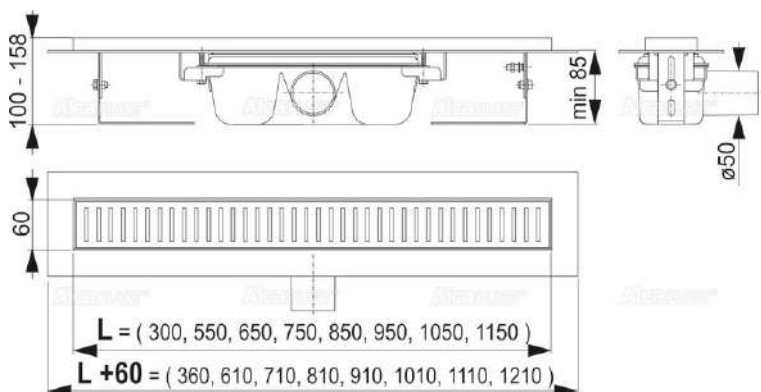


Description	Ref. nr.	Bar code
<p><b>APZ1</b>  <b>Stainless steel shower drain with an edge for perforated grids</b>  <b>Flow rate 63-68.8L/min.</b></p> <p><b>Clearance!</b></p>	<b>APZ1-650</b>	8594045932928
	LINE-650M	8594045932027
	<b>APZ1-850</b>	8594045932942
	LINE-850M	8594045932065
	<b>APZ1-950</b>	8594045932959
	LINE-950M	8594045932089
	<b>APZ1-1050</b>	
	LINE-1050M	8594045932126
	<b>APZ1-1150</b>	8594045939897
	LINE-1150M	8594045939484

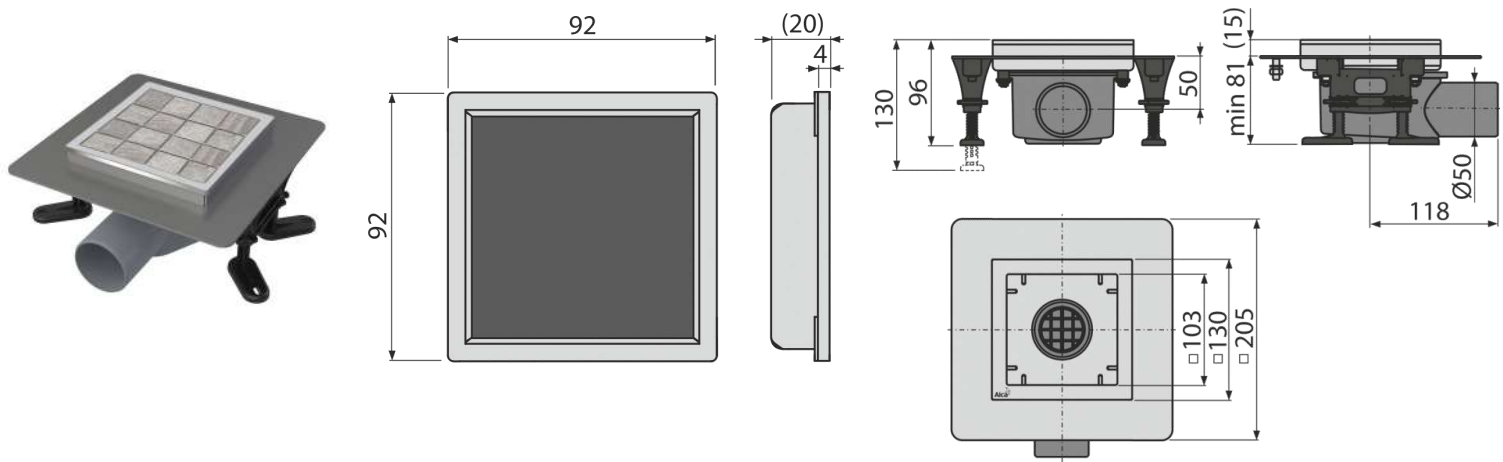
Description	Ref. nr.	Bar code
<p><b>APZ1</b>  <b>Stainless steel shower drain with an edge for perforated grids</b>  <b>Flow rate 63-68.8L/min.</b></p> <p><b>Clearance!</b></p>	<b>APZ1-550</b>	8594045939200
	PURE-550M	8594045939491
	<b>APZ1-650</b>	8594045932928
	PURE-650M	8594045932171
	<b>APZ1-850</b>	8594045932942
	PURE-850M	8594045932270
	<b>APZ1-950</b>	8594045932959
	PURE-950M	8594045932294
	<b>APZ1-1050</b>	
	PURE-1050M	8594045932317
<b>APZ1-1150</b>	8594045939897	
PURE-1150M	8594045939514	



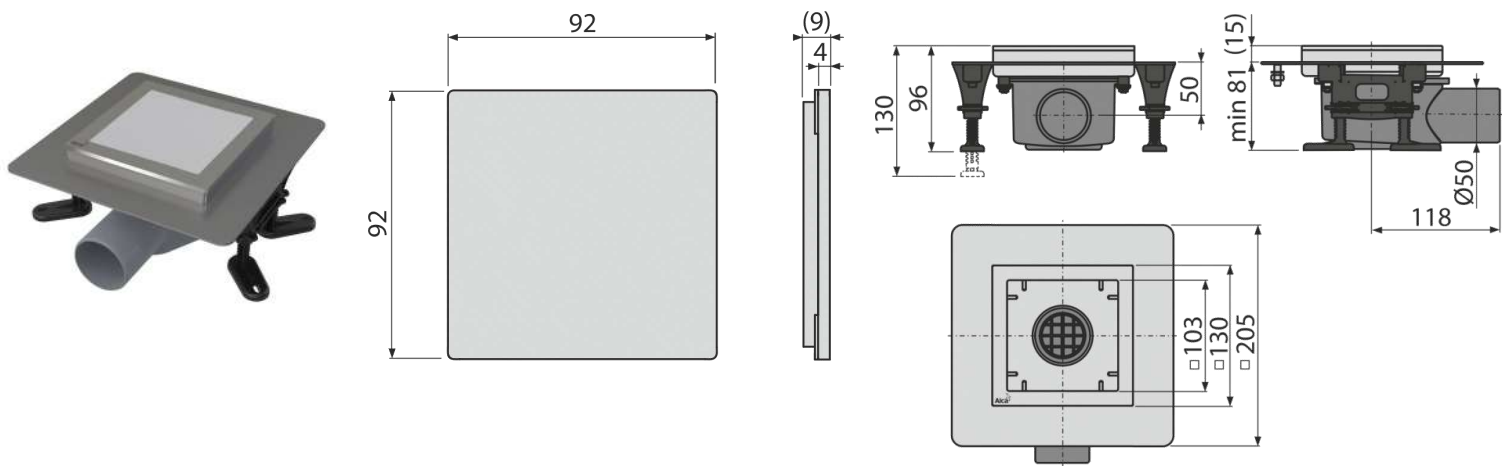
**APZ1**



Description	Ref. nr.	Bar code
<b>APV120 + MPV016</b>	<b>APV120</b>	8595580555146
<b>Floor drain</b>	<b>MPV016</b>	8595580555528



Description	Ref. nr.	Bar code
<b>APV120 + MPV013</b>	<b>APV120</b>	8595580555146
<b>Floor drain</b>	<b>MPV013</b>	8595580555535



**Application:** For wheelchair access. For drainage of floor level. For the interior, where will be frequent use associated with the regular water runoff into the floor drain (bathrooms) - wet odour trap.

**Specifications:** Side connection to waste Ø50 mm. Material of trap: polypropylene resistant to mechanical, chemical and thermal damage. Material of floor drain: stainless steel AISI 304, DIN 1.4301, DIN 17240. Mechanically cleanable trap up to the waste pipe. Wide insulation collar for connection to waterproofing construction. Installation height from 81,5 mm

**Technical parameters:** Resistance of odour trap against the pressure -380 Pa. Flow rate - 50 l/min. Load class K3- 300 kg. Odour trap- 30 mm

**Norms:** EN 1253 **Grid for stainless steel floor drains 92×92 mm for embedding tiles**

**Application:** For floor drains APV110, APV120 and APV130. For embedding tiles or waterproof wood.

**Technical parameters:** Load class K3 -300 kg

**Specifications:** The inner side of this profile has a special covering with a specially roughened surface to facilitate bonding with the glue for the tiles.

**Material:** stainless steel AISI 304, DIN 1.4301, **Norms:** EN 1253

**Spare parts** for all shower drains

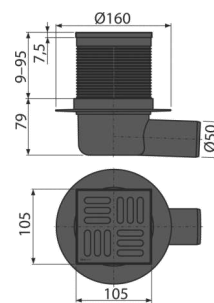
Shower drain hook

**Z0108-ND**

**APV31BLACK**

8595580574895

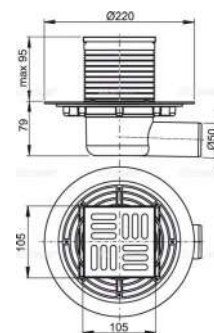
Floor drain 105×105/50 mm side outlet, stainless steel grid black-matt, combined odour trap SMART



**APV1311**

8595580518455

Floor drain 105×105/50 mm side outlet, stainless steel grid, wet odour trap

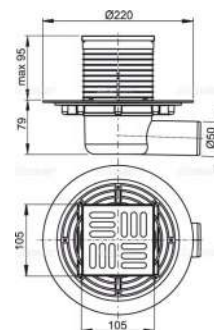


**APV101**

8594045930368

**floor drain 105 × 105/50 side outlet, stainless steel grid, wet odour trap.**

Packaging – outer box-8 pcs. Size – outer box-780×245×475 mm. Weight – outer box- 8,2 kg. Load class (ČSN EN 1253- K3. Flow rate- 46 l/min.

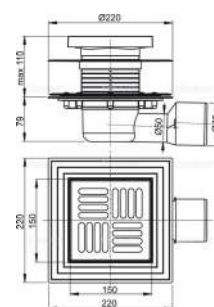


**APV3444**

8595580518523

**floor drain for outdoor & interior 150×150/50/75 mm side outlet, stainless steel grid, stainless steel flange and collar-2nd level insulation, wet and dry odour trap.**

The flow of the inlet grid (wet odour trap) 46 l/min  
 The flow of the inlet grid (dry odour trap) 62 l/min  
 Wet odour trap 51 mm. Resistance of odour trap against the pressure 480 Pa. Load class K3 300 kg. Waste pipe diameter 50 – 75 mm  
 Total installation height 79 – 189 mm.



**APV5411**

8595580520762

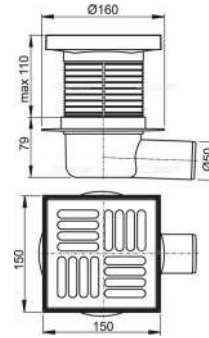
**Interior floor drain 150 × 150/50 side outlet, stainless steel grid, wet odour trap.**

Flow of the inlet grid 46 l/min

Wet odour trap 51 mm

Resistance of odour trap against the pressure 480 Pa. Load class K3 300 kg. Waste pipe diameter 50 mm

Total installation height 79 – 189 mm.



**APV26**

8595580503765

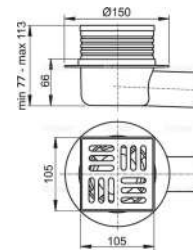
**Floor drain 105×105/50 mm side outlet, stainless steel grid, wet odour trap**

Application: For the interior, where will be frequent use associated with the regular water runoff into the floor drain (bathrooms). For drainage of floor level showers. For wheelchair access. Norms: EN 1253. Customs code- 39269097.

Technical parameters: Flow of the inlet grid- 32 l/min. Odour trap- 25 mm. Total installation height -77 – 113 mm. Waste pipe diameter- 50 mm. Load class K3 300 kg.

Specifications: Reduced installation height. Stainless steel grid 102×102×5 mm. Height adjustable throat 11–47 mm. Insulation collar for connection to waterproofing of the building. Side connection to waste Ø50 mm. Mechanically cleanable trap up to the waste pipe. Wet odour trap prevents the penetration of odours from the sewer.

Material: polypropylene resistant to mechanical, chemical and thermal damage. Material: stainless steel AISI 304, DIN 1.4301



**APV0010**

8595580507473

**WET ODOUR TRAP**

Application: For floor drains, For interior use

Norms: EN 1253, Customs code: 39269097

Technical parameters: Flow rate 46 l/min, Resistance of odour trap against the pressure 480 Pa, Odour trap 51 mm

Specifications: Wet odour trap prevents the penetration of odours from the sewer

Material: polypropylene resistant to mechanical, chemical and thermal damage.

