



PORTINOX

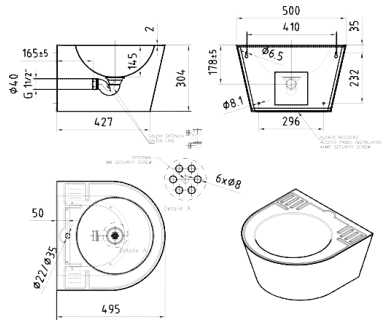
THIELMANN CONTAINER SYSTEMS

catalog

- WASH BASINS
- URINALS
- WC PANS
- SHOWER TRAYS
- UTILITY SINKS
- BATHROOM ACCESSORIES
- PENAL WARE
- DRINKING FOUNTAINS



Date: 11 April 2016



LVR-36-S SINGLE WASH BASIN

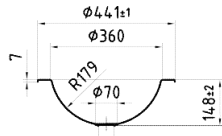
Wall hung wash basin made of stainless steel AISI-304 (1.4301). Stamped bowl. Supplied with a vandal-proof waste valve and bottle trap of 1 1/4". Accessible through service panel.

Bowl size: Ø 360mm x 155mm.

On request: Brushed finish, Tap hole
Special outlet for vandal-proof applications

REFERENCE VARIANTS DIMENSIONS

LVR-36-S-P Polished finish 500x495x300 mm



LVR-36-E VANITY BOWL

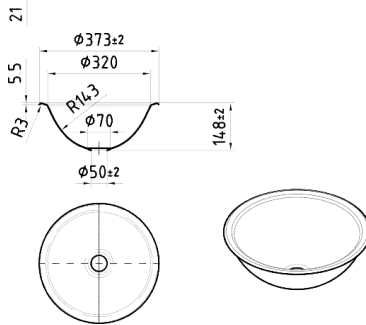
Eccentric, round vanity bowl for surface mounting. Made of 1mm thick stainless steel AISI-304 18/10 (1.4301). Stamped in one piece. Drain /waste hole of 1 1/4".

On request:
Brushed finish
Tap hole
Fixing brackets

REFERENCE VARIANTS DIMENSIONS

LVR-36-E1 Interior polished finish 440x440x360 mm

LVR-36-E2 Interior and exterior polished finish 440x440x360 mm



LVR-32-C VANITY BOWL

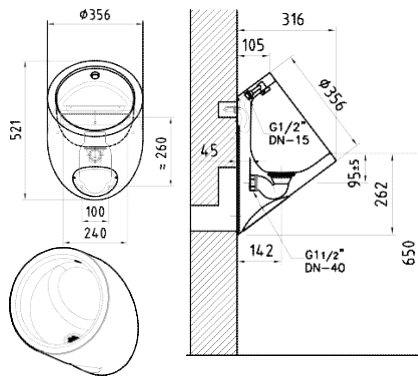
Round vanity bowl for surface or under mounting. Made of 1 mm. thick stainless steel AISI-304 18/10 (1.4301). Stamped in one piece. Drain /waste hole of 1 1/4".

On request:
Brushed finish
Fixing brackets
Flat edge

REFERENCE VARIANTS DIMENSIONS

LVR-32-C1 Interior polished finish 380x380x360 mm

LVR-32-C2 Interior and exterior polished finish 380x380x320 mm



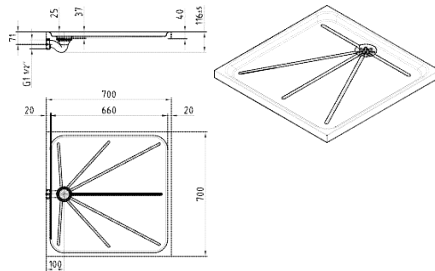
URC WALL HUNG SINGLE URINAL

Round, wall hung urinal. Manufactured in stainless steel AISI-304 (1.4301). Supplied with spray nozzle of 1/2" gas thread. Access via service panel. Top inlet (vertical) or back inlet (horizontal) both 1/2" gas thread (DN-15) flushing connection. Supplied with P-trap valve of 1 1/2" (Ø 40mm.).

REFERENCE VARIANTS DIMENSIONS

URC-P Polished finish 520x360x300 mm

URC-S Brushed finish 520x360x300 mm



PD-700 SHOWER TRAY

Shower tray made of 1mm thick stainless steel AISI-304(1.4301). Manufactured in one piece without joints. For recessed or surface mounting.

Surface: Brushed finish. With non-slippery flooring.
Supplied with PVC drain valve.

REFERENCE VARIANTS DIMENSIONS

PD-700 700x700x65 mm



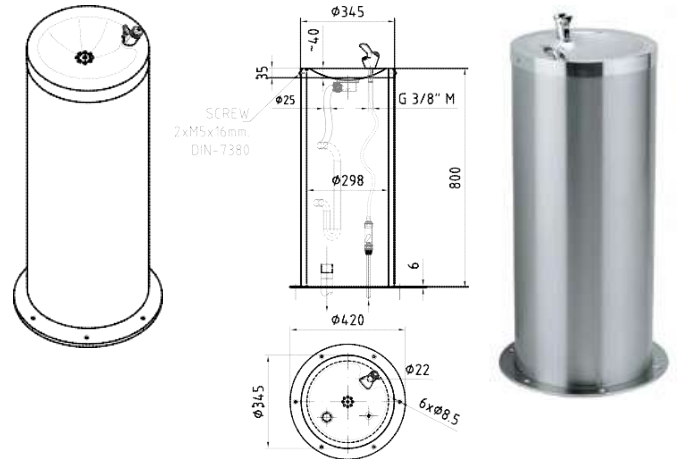
Vandal proof exposed
Mounted shower head– complete
HBS 13



Vandal proof exposed
Mounted shower head
HBS 11

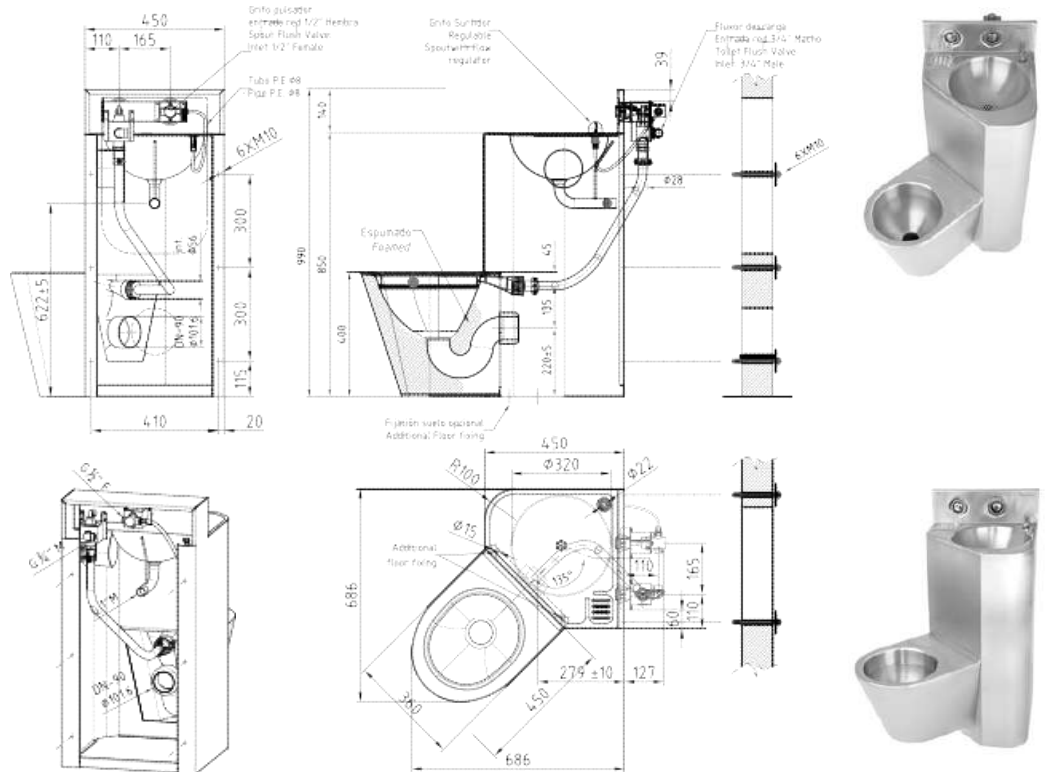
FP-001 DRINKING FOUNTAIN

Drinking fountain for floor installation made of 1mm thick stainless steel. Supplied with a push button water bubbler. Basin polished finish
Cover grinding finish
* Customized height for children available.
Made of Stainless Steel AISI 304 (1.4301)



COMP-001, COMP-002 COMBINATION UNIT

Vandal-proof combination unit equipped with: Stamped wash basin of $\varnothing 320$ mm. with work-top and soap shapes, WC pan, push-button flush valve for toilet and lavatory, tap and toilet paper holder. Specially designed for prisons, police stations and detention centers. Made of 1.5mm. thick stainless steel AISI-304. Filled with expanded polyurethane foam for sound deadening and to prevent bumps and dents. Floor standing WC pan.
Customized solutions: • Left or right handed WC pan. • Without toilet paper holder. • Without back splash. • Without drinking spout.
Installation: Threaded rods 6xM10 for rear installation or access panel for front installation. Front installation upon request.
REFERENCE VARIANTS DIMENSIONS
COMP-001, COMP-002 690x690x990 mm

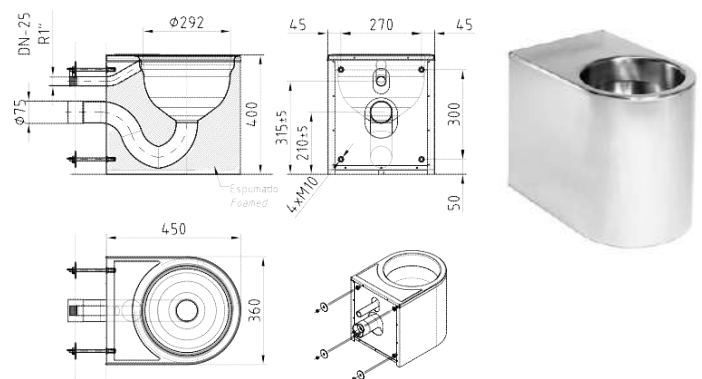


ITEM DESCRIPTION

- 104304522001 TAP FOR COMBINATION UNITE 318 Q12 3/8
- 104304511007 WASH BASIN FLUSH VALVE FOR COMBINATION UNITE 95575 – ANTIRROBO 127 TC CONVENTIONAL
- 104304511001 WC FLUSH VALVE FOR COMBINATION 95672 – ANTIRROBO 1000 MTC

INPR-450-REC-M10 FLOOR STANDING WC PAN WITH STRAIGHT SHAPE

Vandal resistant floor standing WC pan, designed for prisons, police stations and detention centers. Made of stainless steel AISI-304 (1.4301).
Mounting with 4 stainless steel threaded rods M10 through the wall.
Filled with expanded polyurethane foam for sound deadening and to prevent bumps and dents.
Rear installation required
REFERENCE VARIANTS DIMENSIONS
INPR-450-REC-M10 360x450x400 mm





PORTINOX

THIELMANN CONTAINER SYSTEMS