

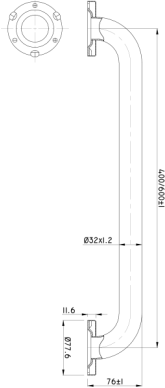

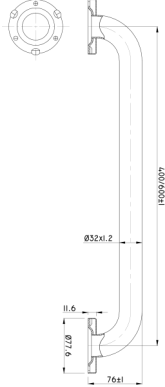

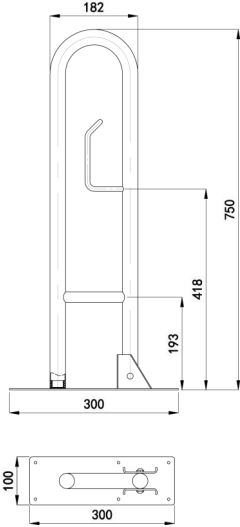




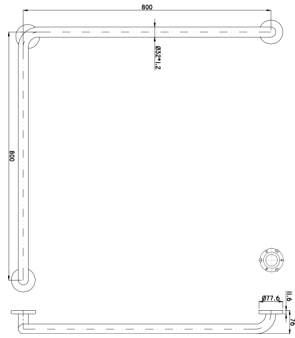

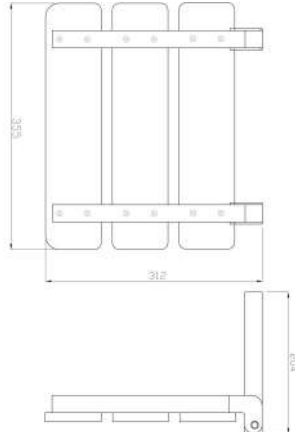

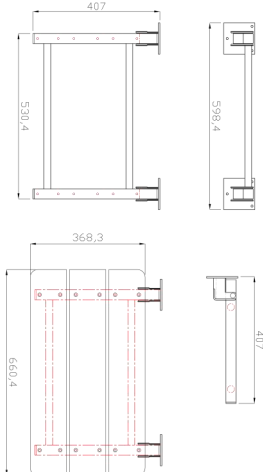


# Calidad special needs

---

# Calidad special needs

Photo	Description	Ref.	Bar code	Size
	GRAB BAR satin finish Stainless steel 304 1.2x20x20cm (45mm diameter)	GB-203-1	5291840019535	1.2x20x20cm (26 mm diameter)
 	GRAB BAR satin finish Stainless steel 304 Especially for special needs persons (disabled, elderly)	GB-202-60	5291840007037	60cmx32mm (32mm diameter)
 	GRAB BAR satin finish Stainless steel 304 Especially for special needs persons (disabled, elderly)	GB-202-40	5291840008287	40x32mm (32mm diameter)
 	RECLINING GRAB BAR satin finish Stainless steel 304 Especially for special needs persons	GB-204-U	5291840019542	1.1/4x76.2x17.78 cm (32mm diameter) Weight up to 145kg
	L shape horizontal GRAB BAR Satin finishing Stainless steel 304	L-GRAB- H	5291840019856	1.1/4x80x80cm (32mm diameter) Right or left side

# Calidad special needs

Photo	Description	Ref.	Bar code	Size
 	<p>L shape vertical GRAB BAR Satin finishing Stainless steel 304</p>	L-GRAB-V	5291840019832	1.1/4x80x80cm (32mm diameter) Right or left side
 	<p>RECLINING SEAT Phenolic wood Stainless steel 304</p>	BS-813	5291840019849	35.5x28cm Weight up to 215kg
 	<p>RECLINING SEAT Phenolic white Stainless steel 304</p>	BS-802-PH	5291840019863	66x37cm Weight up to 215 kg
	<p>RECLINING SEAT Soft leather Stainless steel 304</p>	BS-801	5291840021057	74x38cm Weight up to 230 kg
	<p>WC WALL Brush "Sutikku" mirror finish Stainless steel 304</p>	T-304	5291840016886	

 Calidad special needs